



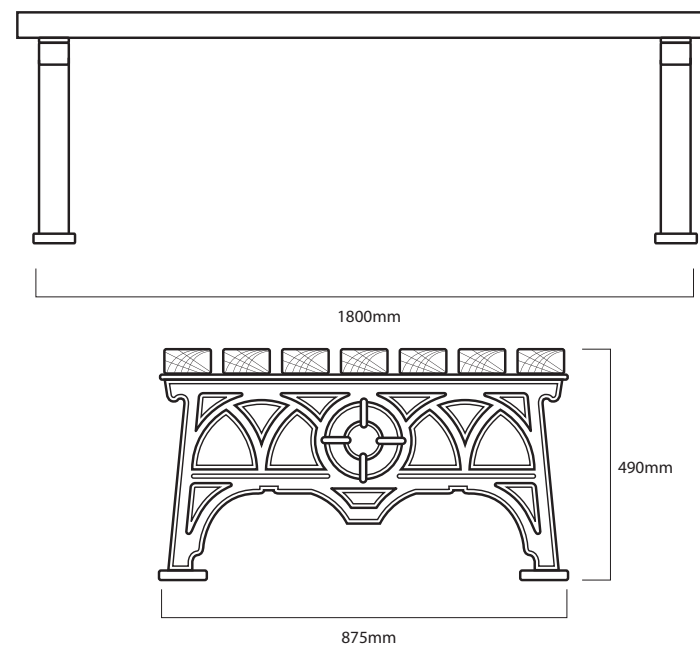
ARCHITECTURAL STREET FURNISHINGS



SEATING



- - Cast Iron Seats and Benches with Timber Slats
Pages 3 - 12
10 Products
- - Stainless Steel Seats and Benches
Pages 13 - 22
10 Products
- - Recycled Plastic Seats and Benches
Pages 23 - 26
4 Products
- - Stainless Steel / Steel Seats and Benches with Timber Slats
Pages 27 - 38
12 Products
- - Granite Seats and Benches
Pages 39 - 48
10 Products



Seating ASF 501 Cast Iron Bench

Materials:

Seat Legs - Cast Iron Grade 250 Timber Slats - Iroko Hardwood

Finish:

Seat Legs - Painted in weathershield rust resistant gloss in most RAL Colours Timber Slats - Standard Length: 1800mm

Optional Finish:

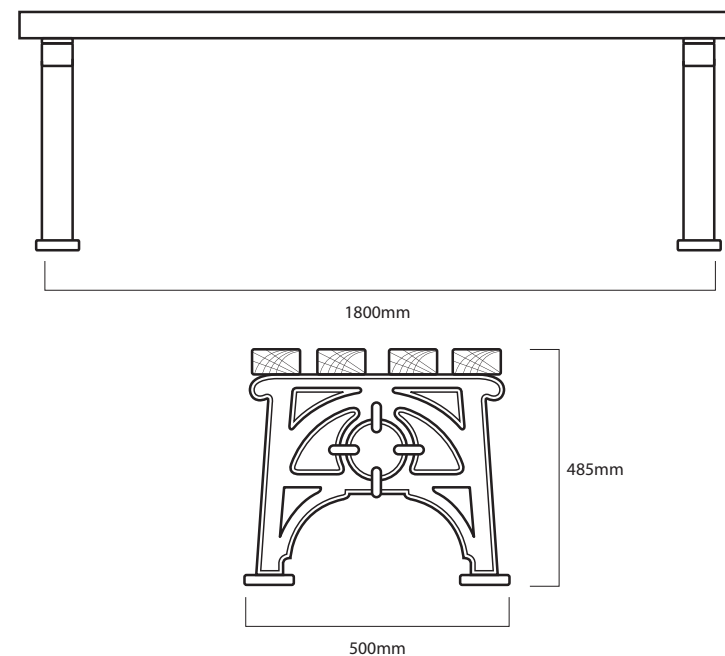
Painted in black rust resistant gloss & oven baked Other RAL Colours available on request

Fixing:

Above ground fixing via resin anchor bolts

Optional Extras:

Increased/Reduced length or curved versions on request. Logos/Coats of Arms can be incorporated



Seating ASF 501s Cast Iron Bench

Materials:

Seat Legs - Cast Iron Grade 250 Timber Slats - Iroko Hardwood

Finish:

Seat Legs - Painted in weathershield rust resistant gloss in most RAL Colours Timber Slats - Standard Length: 1800mm

Optional Finish:

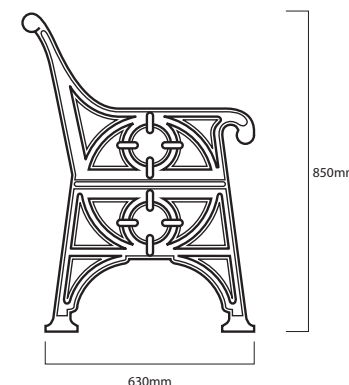
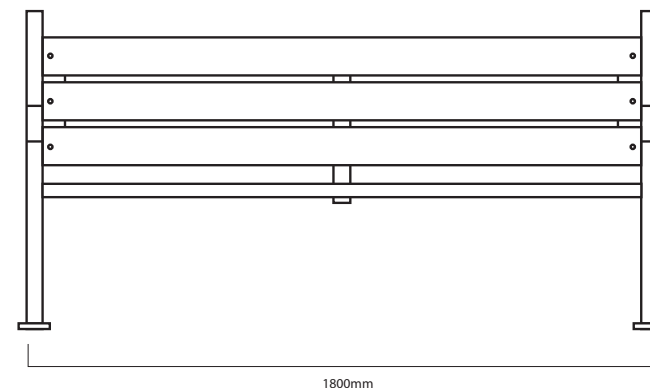
Painted in black rust resistant gloss & oven baked Other RAL Colours available on request

Fixing:

Above ground fixing via resin anchor bolts

Optional Extras:

Increased/Reduced length or curved versions on request. Logos/Coats of Arms can be incorporated



Seating ASF 502 Cast Iron Seat

Materials:

Seat Legs - Cast Iron Grade 250 Timber Slats - Iroko Hardwood

Finish:

Seat Legs - Painted in weathershield rust resistant gloss in most RAL Colours Timber Slats - Standard Length: 1800mm

Optional Finish:

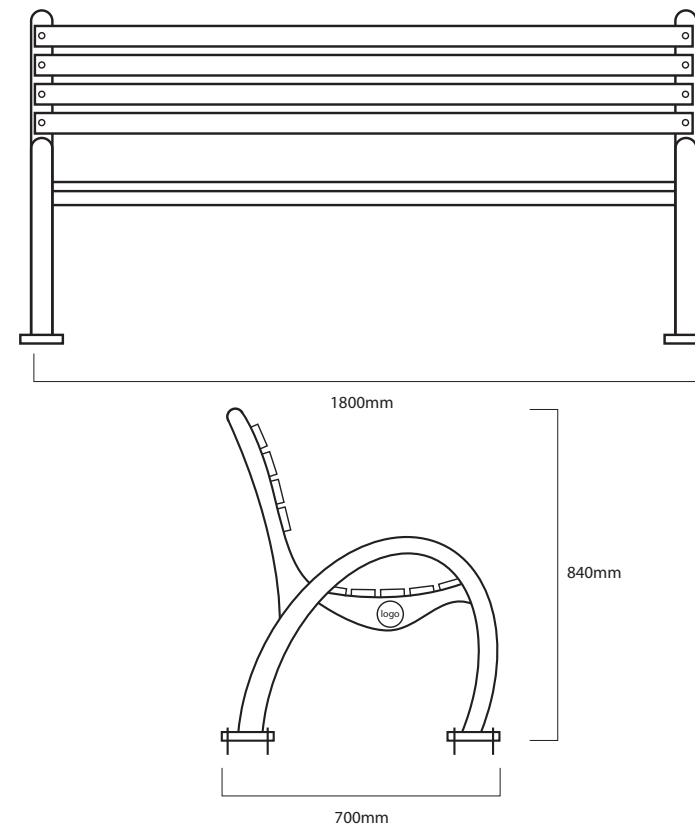
Painted in black rust resistant gloss & oven baked Other RAL Colours available on request

Fixing:

Above ground fixing via resin anchor bolts

Optional Extras:

Increased/Reduced length or curved versions on request. Logos/Coats of Arms can be incorporated



Seating ASF 503 Cast Iron Seat

Materials:

Seat Legs - Cast Iron Grade 250 Timber Slats - Iroko Hardwood

Finish:

Seat Legs - Painted in weathershield rust resistant gloss in most RAL Colours Timber Slats - Standard Length: 1800mm

Optional Finish:

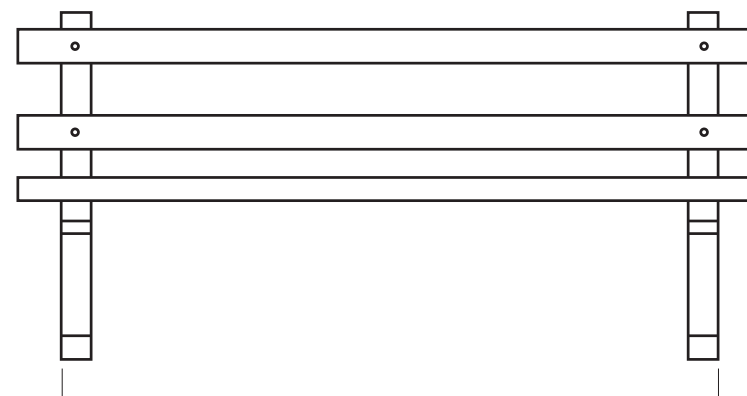
Painted in black rust resistant gloss & oven baked Other RAL Colours available on request

Fixing:

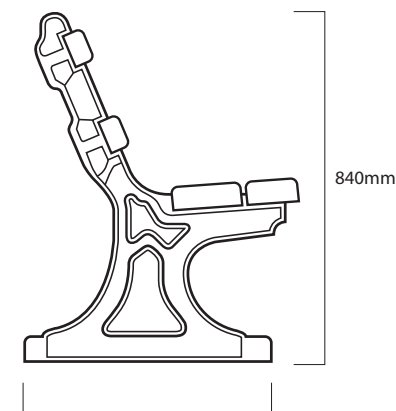
Above ground fixing via resin anchor bolts

Optional Extras:

Increased/Reduced length or curved versions on request. Logos/Coats of Arms can be incorporated



1800mm



840mm

700mm

Seating ASF 504 Cast Iron Seat

Materials:

Seat Legs - Cast Iron Grade 250 Timber Slats - Iroko Hardwood

Finish:

Seat Legs - Painted in weathershield rust resistant gloss in most RAL Colours Timber Slats - Standard Length: 1800mm

Optional Finish:

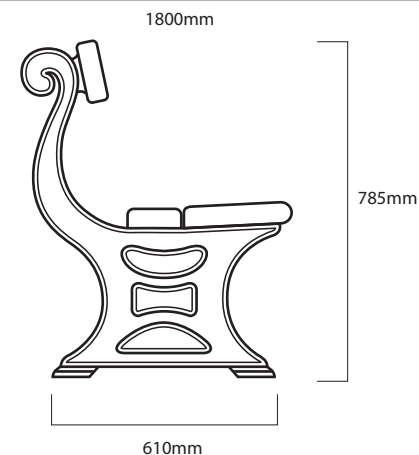
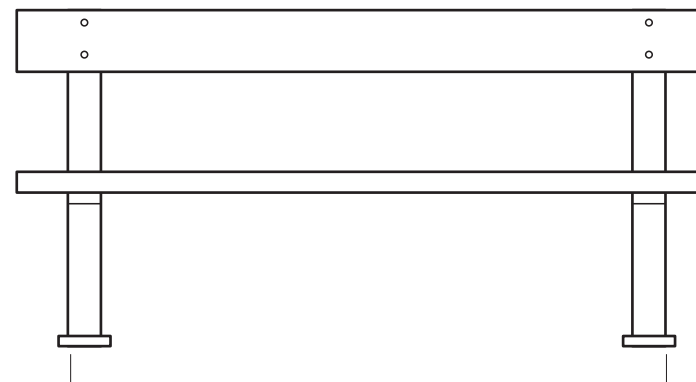
Painted in black rust resistant gloss & oven baked Other RAL Colours available on request

Fixing:

Above ground fixing via resin anchor bolts

Optional Extras:

Increased/Reduced length or curved versions on request. Logos/Coats of Arms can be incorporated



Seating ASF 505 Cast Iron Seat

Materials:

Seat Legs - Cast Iron Grade 250 Timber Slats - Iroko Hardwood

Finish:

Seat Legs - Painted in weathershield rust resistant gloss in most RAL Colours Timber Slats - Standard Length: 1800mm

Optional Finish:

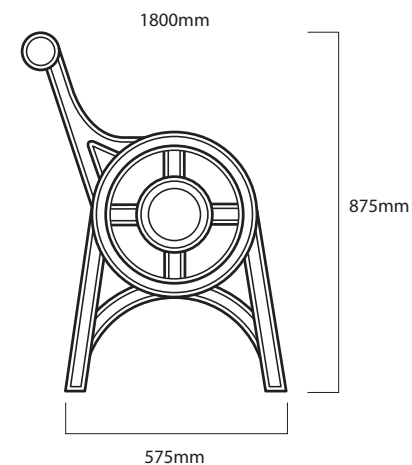
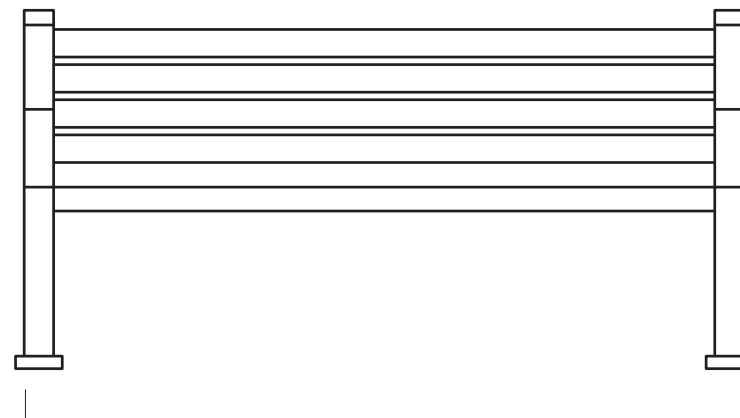
Painted in black rust resistant gloss & oven baked Other RAL Colours available on request

Fixing:

Above ground fixing via resin anchor bolts

Optional Extras:

Increased/Reduced length or curved versions on request. Logos/Coats of Arms can be incorporated



Seating ASF 506 Cast Iron Seat

Materials:

Seat Legs - Cast Iron Grade 250 Timber Slats - Iroko Hardwood

Finish:

Seat Legs - Painted in weathershield rust resistant gloss in most RAL Colours Timber Slats - Standard Length: 1800mm

Optional Finish:

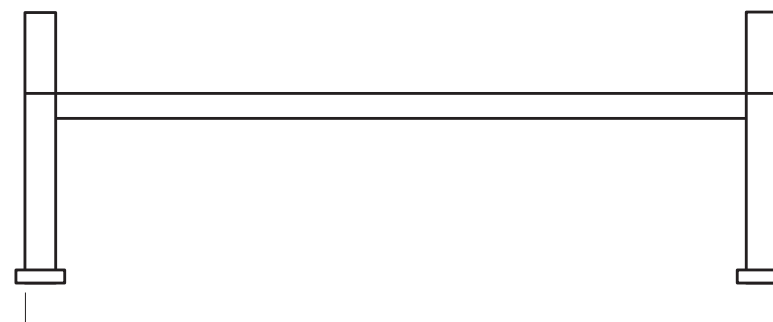
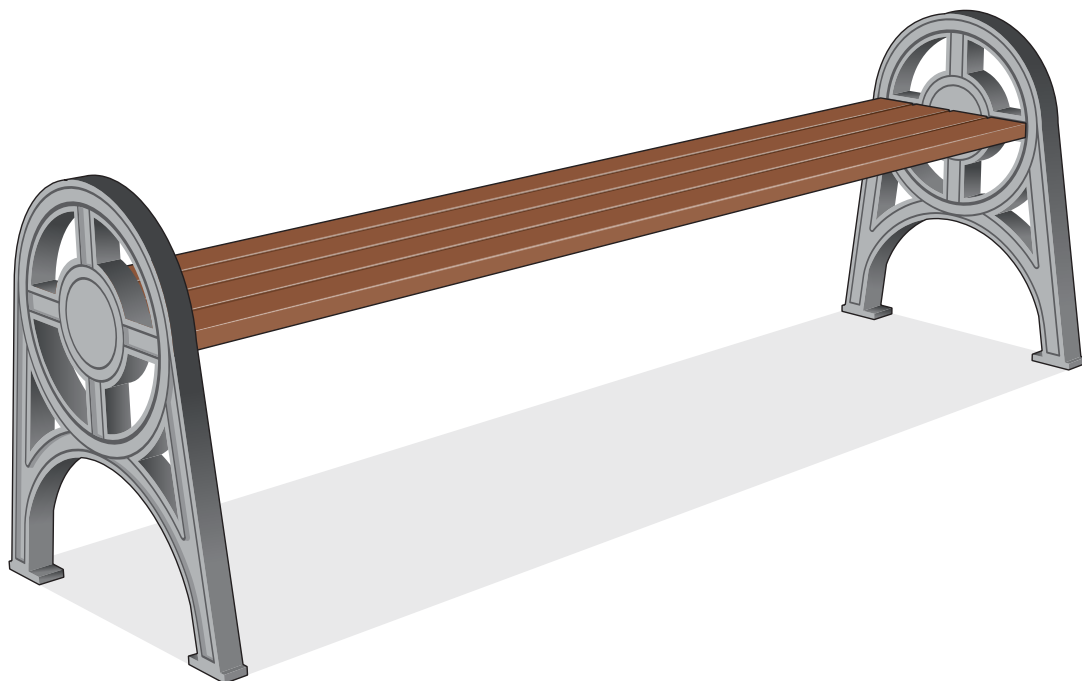
Painted in black rust resistant gloss & oven baked Other RAL Colours available on request

Fixing:

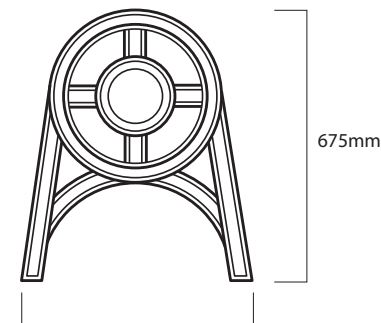
Above ground fixing via resin anchor bolts

Optional Extras:

Increased/Reduced length or curved versions on request. Logos/Coats of Arms can be incorporated



1800mm



675mm

575mm

Seating ASF 507 Cast Iron Bench

Materials:

Seat Legs - Cast Iron Grade 250 Timber Slats - Iroko Hardwood

Finish:

Seat Legs - Painted in weathershield rust resistant gloss in most RAL Colours Timber Slats - Standard Length: 1800mm

Optional Finish:

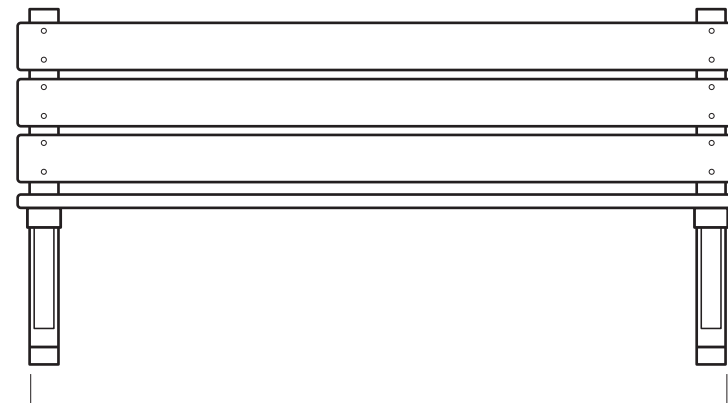
Painted in black rust resistant gloss & oven baked Other RAL Colours available on request

Fixing:

Above ground fixing via resin anchor bolts

Optional Extras:

Increased/Reduced length or curved versions on request. Logos/Coats of Arms can be incorporated



1800mm

1085mm

490mm

630mm

Seating ASF 550 Cast Iron Seat

Materials:

Seat Legs - Cast Iron Grade 250 Timber Slats - Iroko Hardwood

Finish:

Seat Legs - Painted in weathershield rust resistant gloss in most RAL Colours Timber Slats - Standard Length: 1800mm

Optional Finish:

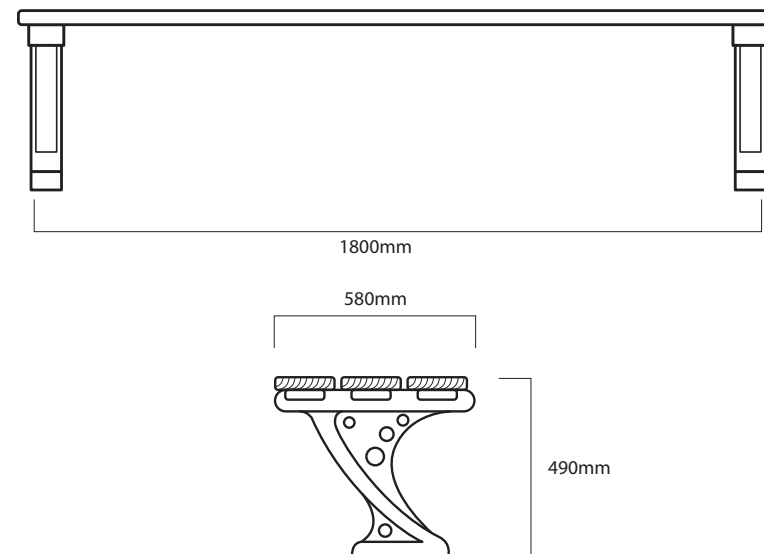
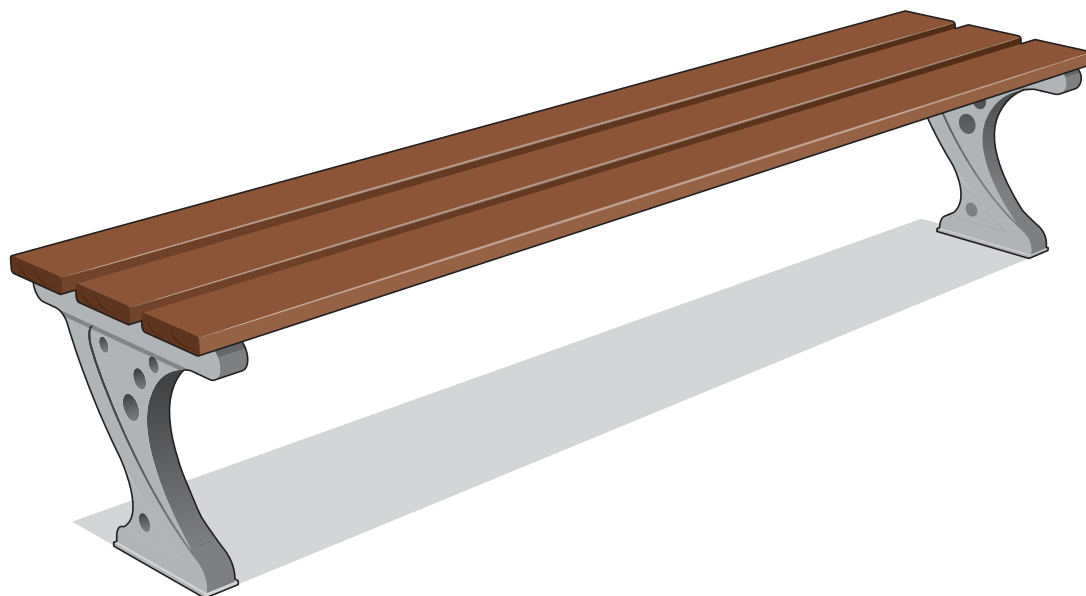
Painted in black rust resistant gloss & oven baked Other RAL Colours available on request

Fixing:

Above ground fixing via resin anchor bolts

Optional Extras:

Increased/Reduced length or curved versions on request. Logos/Coats of Arms can be incorporated



Seating ASF 551 Cast Iron Bench

Materials:

Seat Legs - Cast Iron Grade 250 Timber Slats - Iroko Hardwood

Finish:

Seat Legs - Painted in weathershield rust resistant gloss in most RAL Colours Timber Slats - Standard Length: 1800mm

Optional Finish:

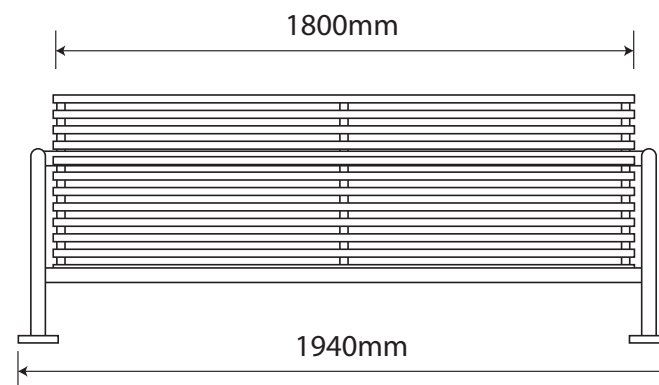
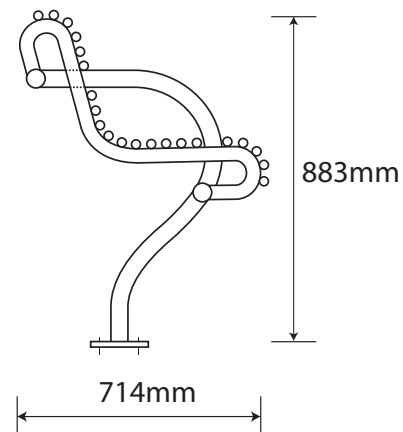
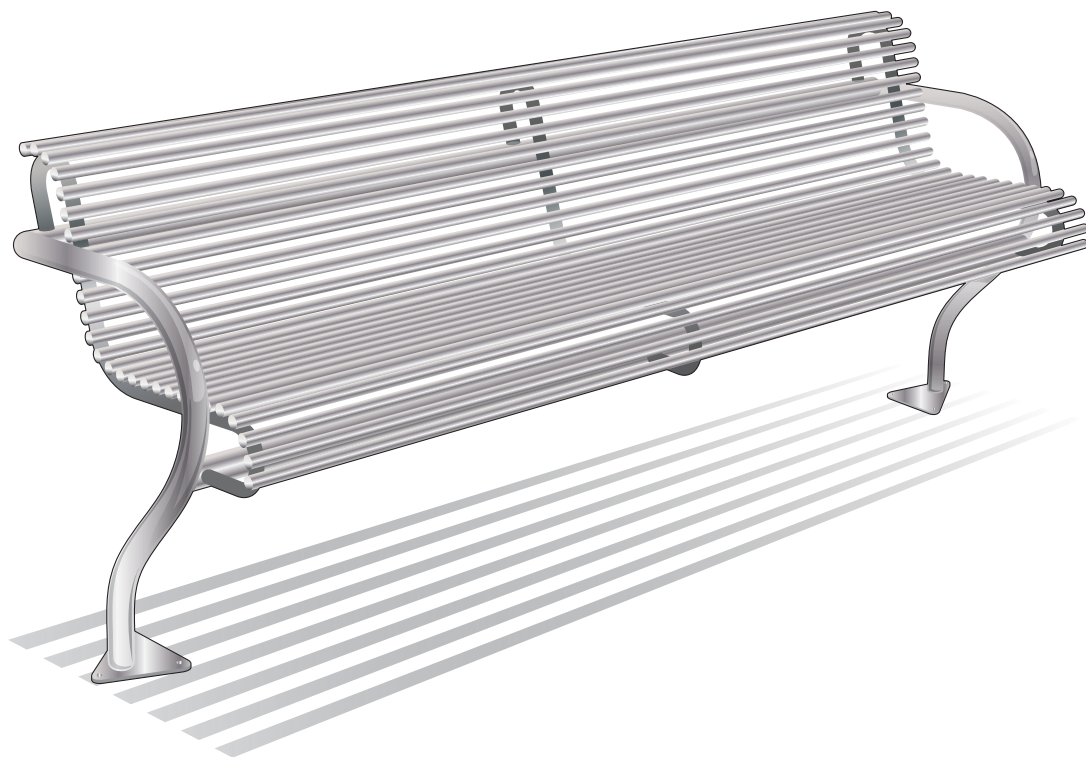
Painted in black rust resistant gloss & oven baked Other RAL Colours available on request

Fixing:

Above ground fixing via resin anchor bolts

Optional Extras:

Increased/Reduced length or curved versions on request. Logos/Coats of Arms can be incorporated



Seating ASF 6000 Stainless Steel Seat

Materials:

Standard Finish:

Optional Material Finish:

Fixing:

Armrests:

Bespoke:

Lettering/Logos/Laser Cut Designs

Grade 316 Marine Grade Stainless Steel

Satin Brushed/Highly Polished Elements

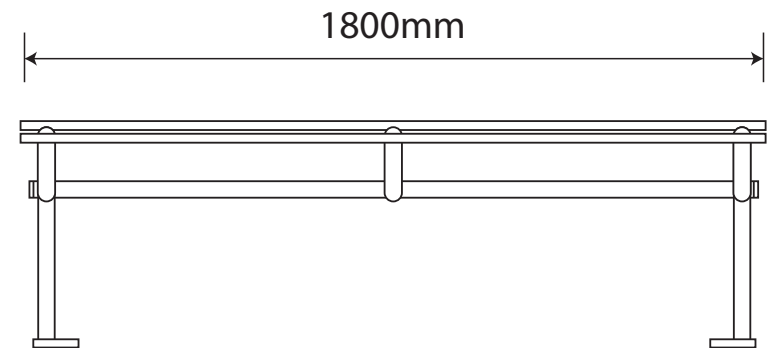
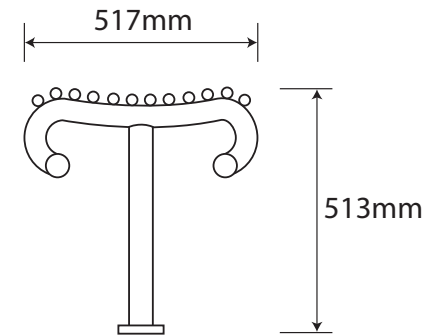
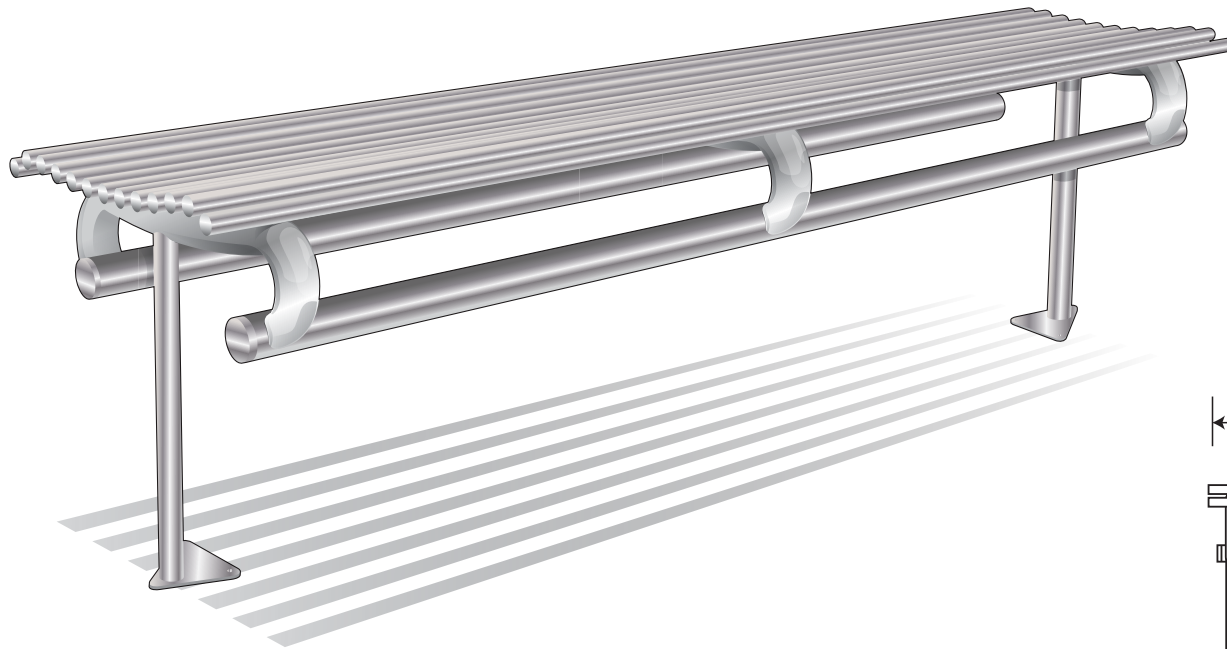
All the seats can be manufactured in mild steel and finished polyester powder coated in any RAL or BS Colour

Either Root Based (Below Ground) or Base Plate (Above Ground) Fixing

Armrests can be incorporated if required

Bespoke Lengths, curved, modular options can be accommodated

These can be added to personalise seating



Seating ASF 6001 Stainless Steel Bench

Materials:

Standard Finish:

Optional Material Finish:

Fixing:

Armrests:

Bespoke:

Lettering/Logos/Laser Cut Designs

Grade 316 Marine Grade Stainless Steel

Satin Brushed/Highly Polished Elements

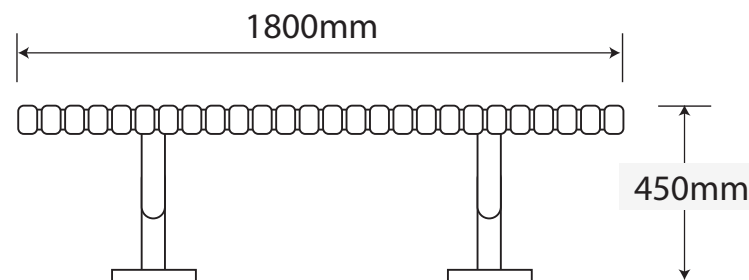
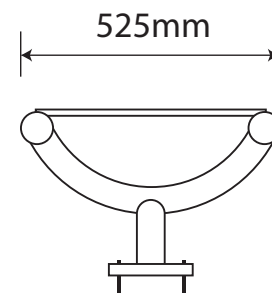
All the seats can be manufactured in mild steel and finished polyester powder coated in any RAL or BS Colour

Either Root Based (Below Ground) or Base Plate (Above Ground) Fixing

Armrests can be incorporated if required

Bespoke Lengths, curved, modular options can be accommodated

These can be added to personalise seating



Seating ASF 6002 Stainless Steel Bench

Materials:

Standard Finish:

Optional Material Finish:

Fixing:

Armrests:

Bespoke:

Lettering/Logos/Laser Cut Designs

Grade 316 Marine Grade Stainless Steel

Satin Brushed/Highly Polished Elements

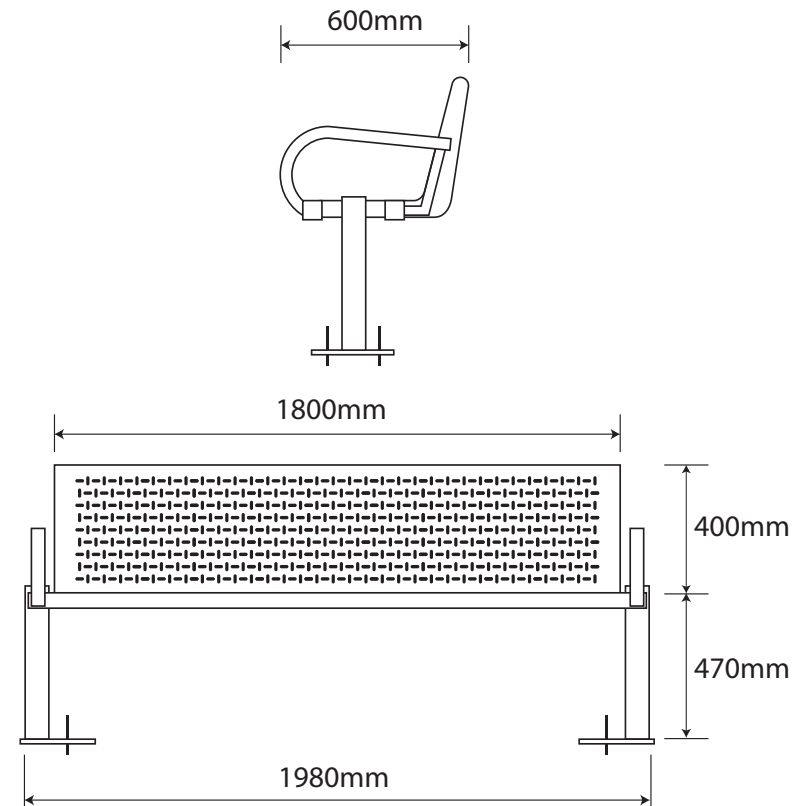
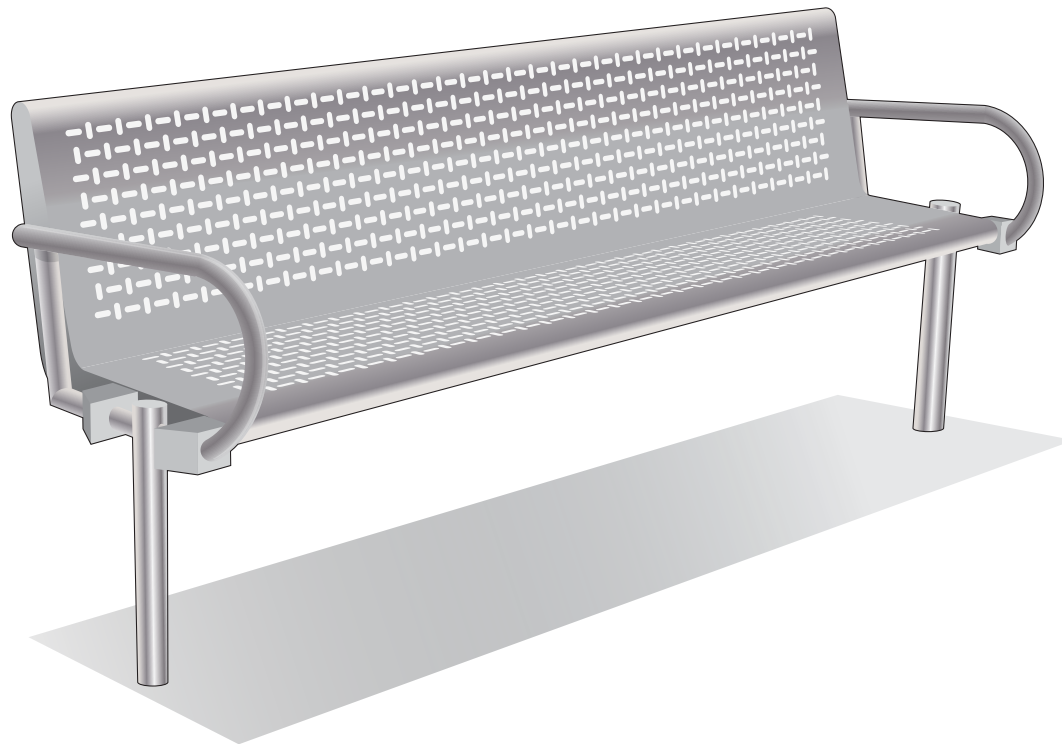
All the seats can be manufactured in mild steel and finished polyester powder coated in any RAL or BS Colour

Either Root Based (Below Ground) or Base Plate (Above Ground) Fixing

Armrests can be incorporated if required

Bespoke Lengths, curved, modular options can be accommodated

These can be added to personalise seating



Seating ASF 6003 Stainless Steel Seat

Materials:

Grade 316 Marine Grade Stainless Steel

Standard Finish:

Satin Brushed/Highly Polished Elements

Optional Material Finish:

All the seats can be manufactured in mild steel and finished polyester powder coated in any RAL or BS Colour

Fixing:

Either Root Based (Below Ground) or Base Plate (Above Ground) Fixing

Armrests:

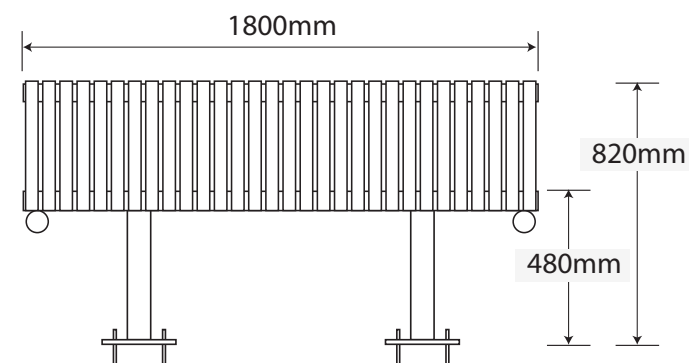
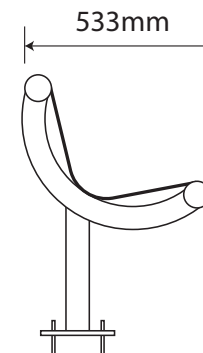
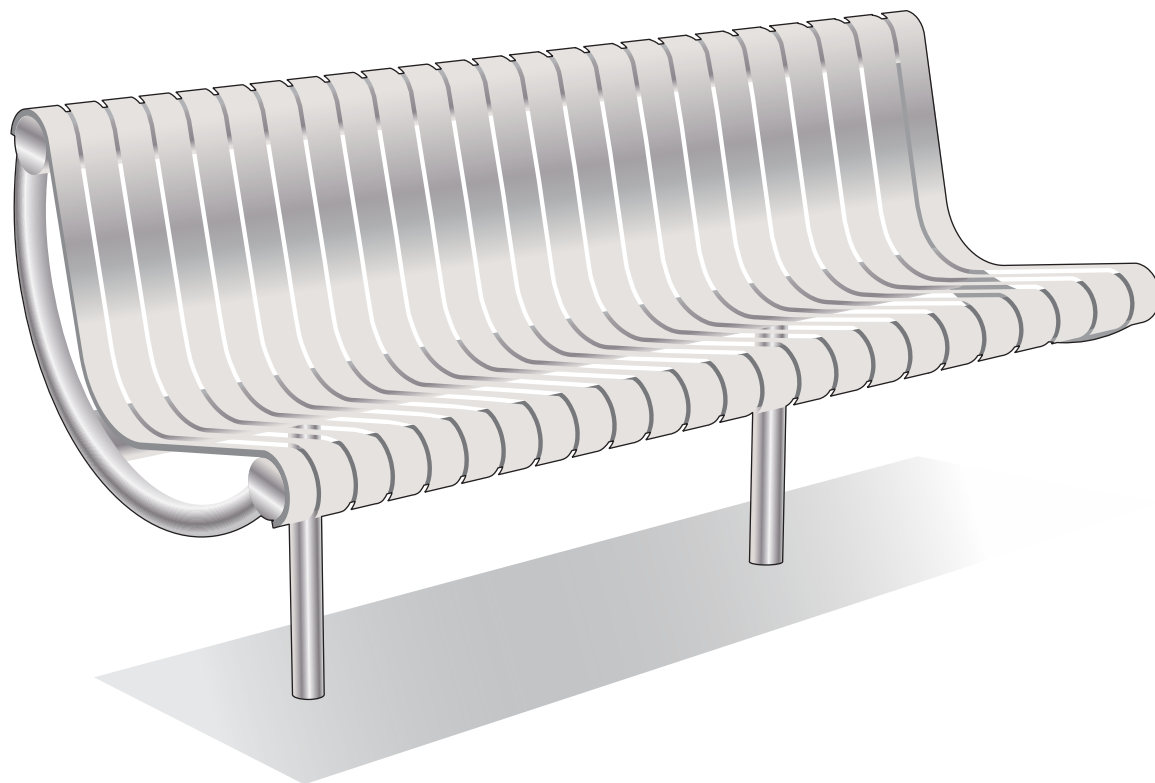
Armrests can be incorporated if required

Bespoke:

Bespoke Lengths, curved, modular options can be accommodated

Lettering/Logos/Laser Cut Designs

These can be added to personalise seating



Seating ASF 6004 Stainless Steel Seat

Materials:

Standard Finish:

Optional Material Finish:

Fixing:

Armrests:

Bespoke:

Lettering/Logos/Laser Cut Designs

Grade 316 Marine Grade Stainless Steel

Satin Brushed/Highly Polished Elements

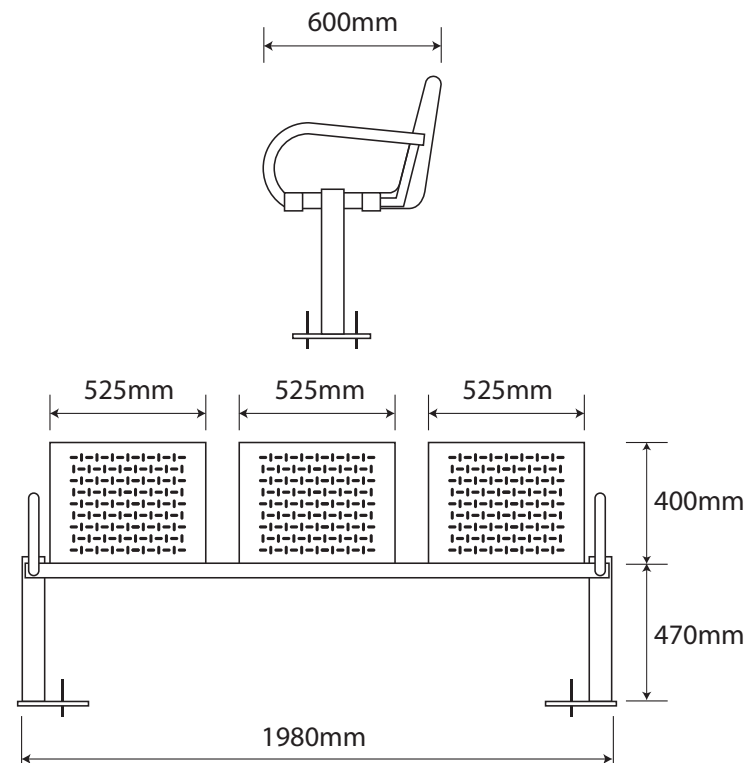
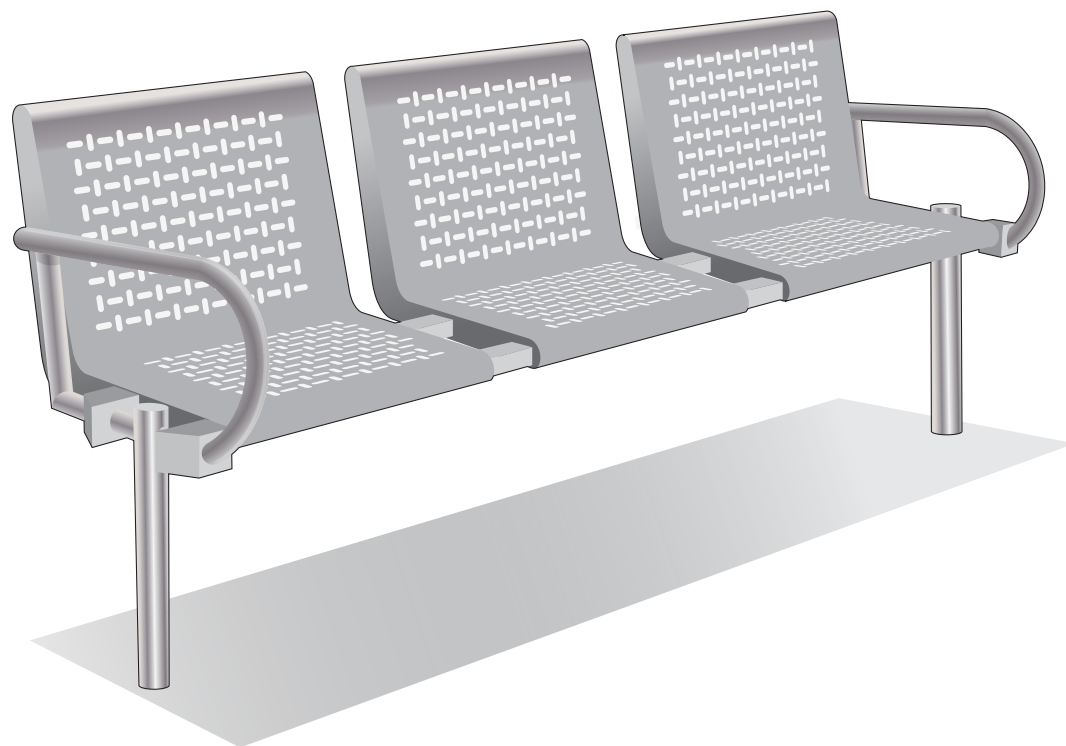
All the seats can be manufactured in mild steel and finished polyester powder coated in any RAL or BS Colour

Either Root Based (Below Ground) or Base Plate (Above Ground) Fixing

Armrests can be incorporated if required

Bespoke Lengths, curved, modular options can be accommodated

These can be added to personalise seating



Seating ASF 6005 Stainless Steel Seat

Materials:

Standard Finish:

Optional Material Finish:

Fixing:

Armrests:

Bespoke:

Lettering/Logos/Laser Cut Designs

Grade 316 Marine Grade Stainless Steel

Satin Brushed/Highly Polished Elements

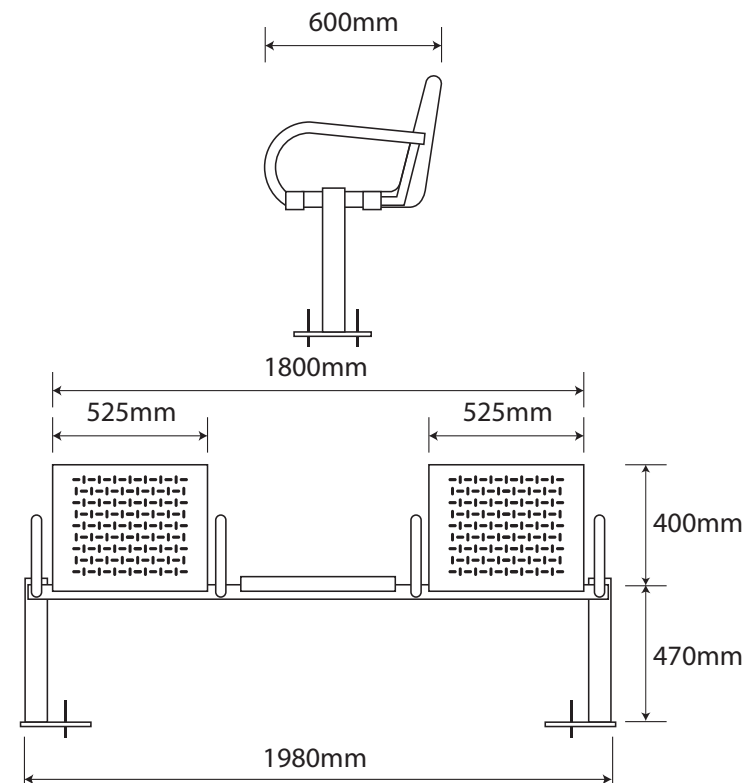
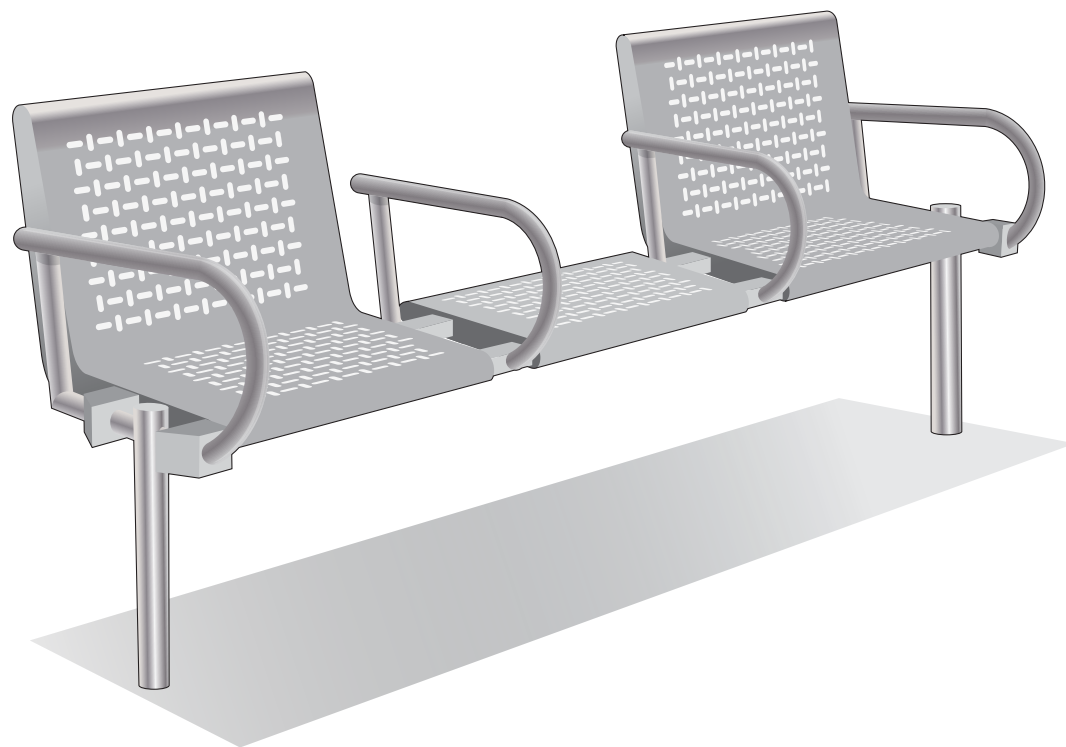
All the seats can be manufactured in mild steel and finished polyester powder coated in any RAL or BS Colour

Either Root Based (Below Ground) or Base Plate (Above Ground) Fixing

Armrests can be incorporated if required

Bespoke Lengths, curved, modular options can be accommodated

These can be added to personalise seating



Seating ASF 6006 Stainless Steel Seat

Materials:

Standard Finish:

Optional Material Finish:

Fixing:

Armrests:

Bespoke:

Lettering/Logos/Laser Cut Designs

Grade 316 Marine Grade Stainless Steel

Satin Brushed/Highly Polished Elements

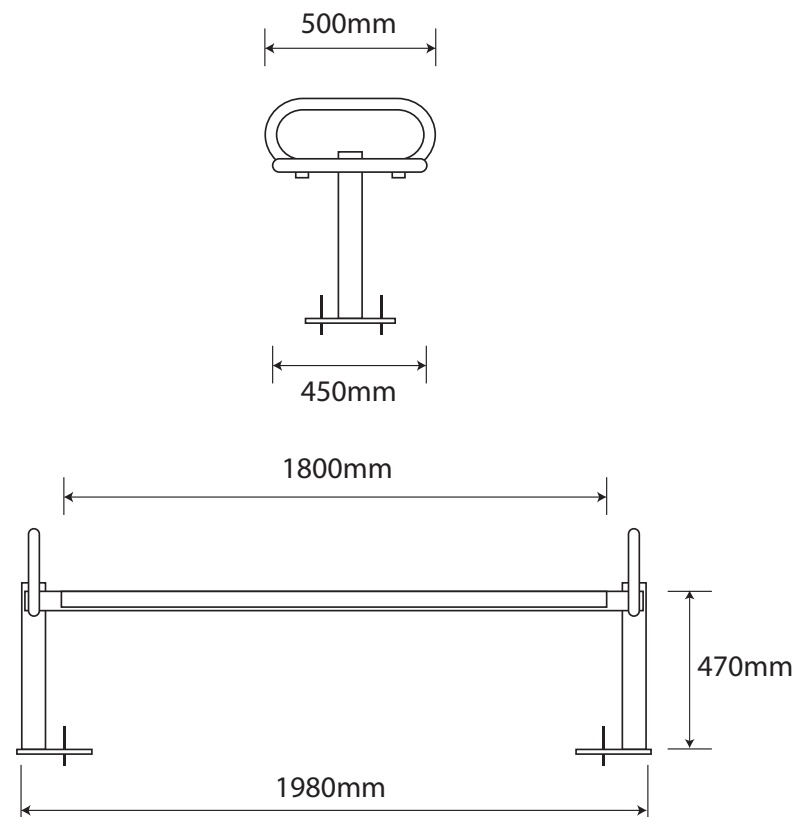
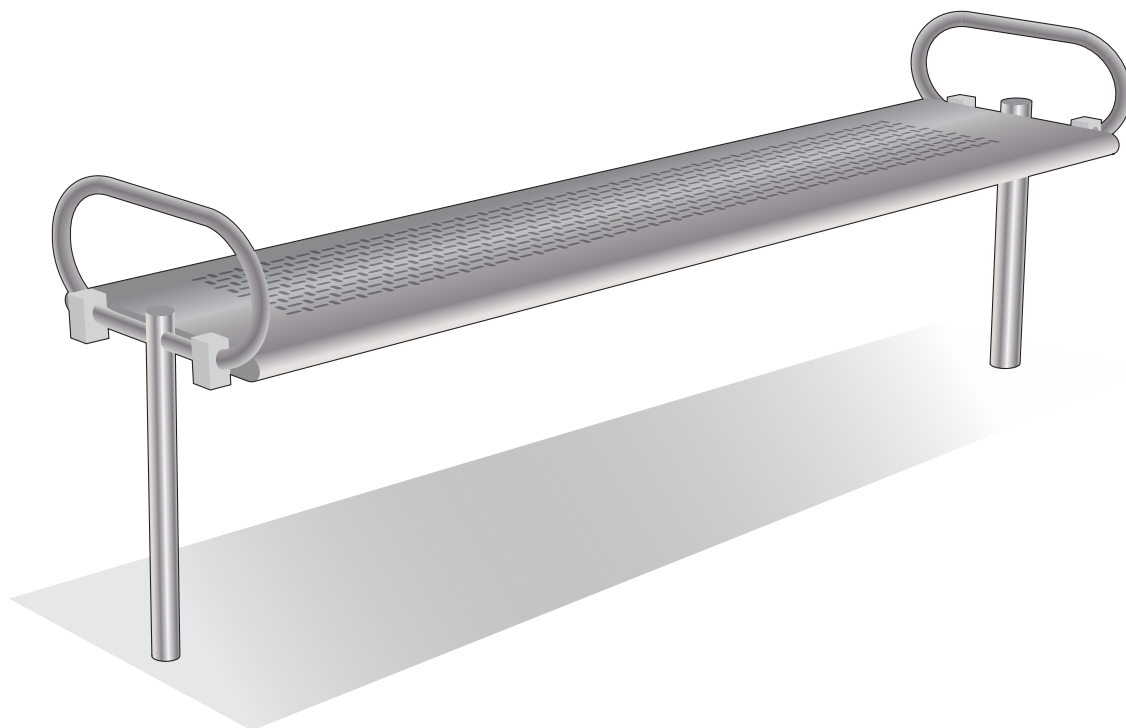
All the seats can be manufactured in mild steel and finished polyester powder coated in any RAL or BS Colour

Either Root Based (Below Ground) or Base Plate (Above Ground) Fixing

Armrests can be incorporated if required

Bespoke Lengths, curved, modular options can be accommodated

These can be added to personalise seating



Seating ASF 6007 Stainless Steel Bench

Materials:

Standard Finish:

Optional Material Finish:

Fixing:

Armrests:

Bespoke:

Lettering/Logos/Laser Cut Designs

Grade 316 Marine Grade Stainless Steel

Satin Brushed/Highly Polished Elements

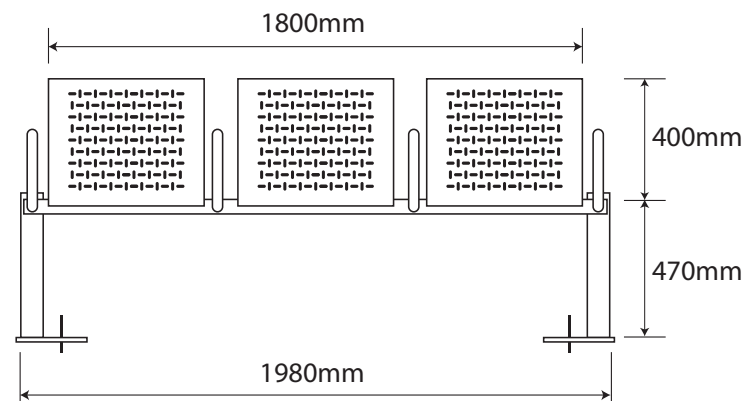
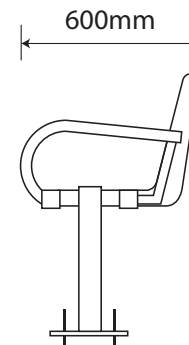
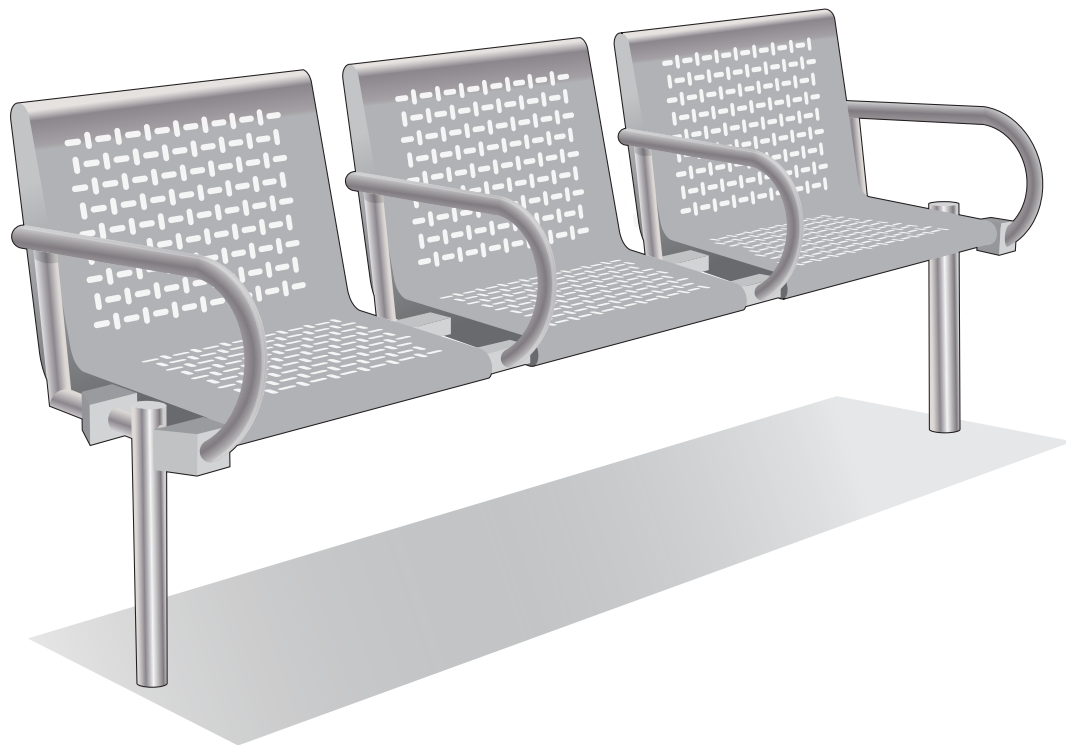
All the seats can be manufactured in mild steel and finished polyester powder coated in any RAL or BS Colour

Either Root Based (Below Ground) or Base Plate (Above Ground) Fixing

Armrests can be incorporated if required

Bespoke Lengths, curved, modular options can be accommodated

These can be added to personalise seating



Seating ASF 6008 Stainless Steel Seat

Materials:

Standard Finish:

Optional Material Finish:

Fixing:

Armrests:

Bespoke:

Lettering/Logos/Laser Cut Designs

Grade 316 Marine Grade Stainless Steel

Satin Brushed/Highly Polished Elements

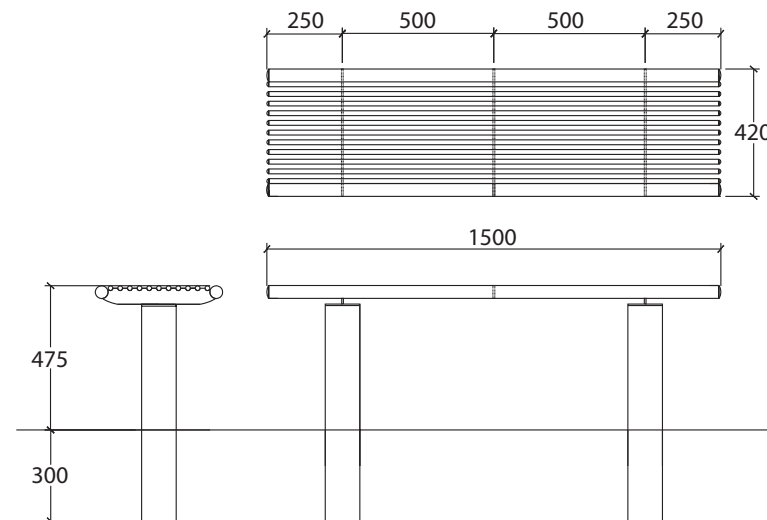
All the seats can be manufactured in mild steel and finished polyester powder coated in any RAL or BS Colour

Either Root Based (Below Ground) or Base Plate (Above Ground) Fixing

Armrests can be incorporated if required

Bespoke Lengths, curved, modular options can be accommodated

These can be added to personalise seating



Seating ASF 6019 Stainless Steel Seat

Materials:

Standard Finish:

Optional Material Finish:

Fixing:

Armrests:

Bespoke:

Lettering/Logos/Laser Cut Designs

Grade 316 Marine Grade Stainless Steel

Satin Brushed/Highly Polished Elements

All the seats can be manufactured in mild steel and finished polyester powder coated in any RAL or BS Colour

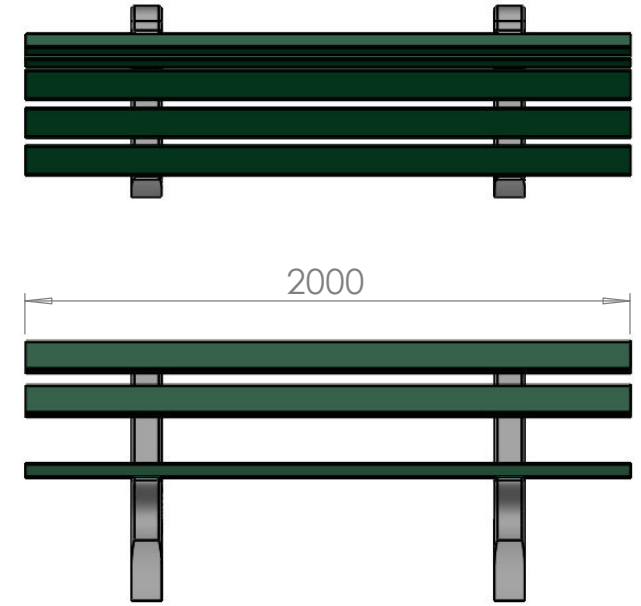
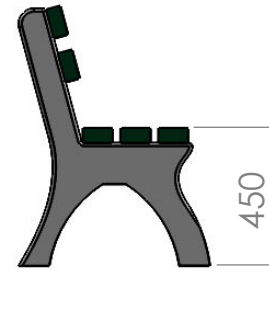
Either Root Based (Below Ground) or Base Plate (Above Ground) Fixing

Armrests can be incorporated if required

Bespoke Lengths, curved, modular options can be accommodated

These can be added to personalise seating

ASF

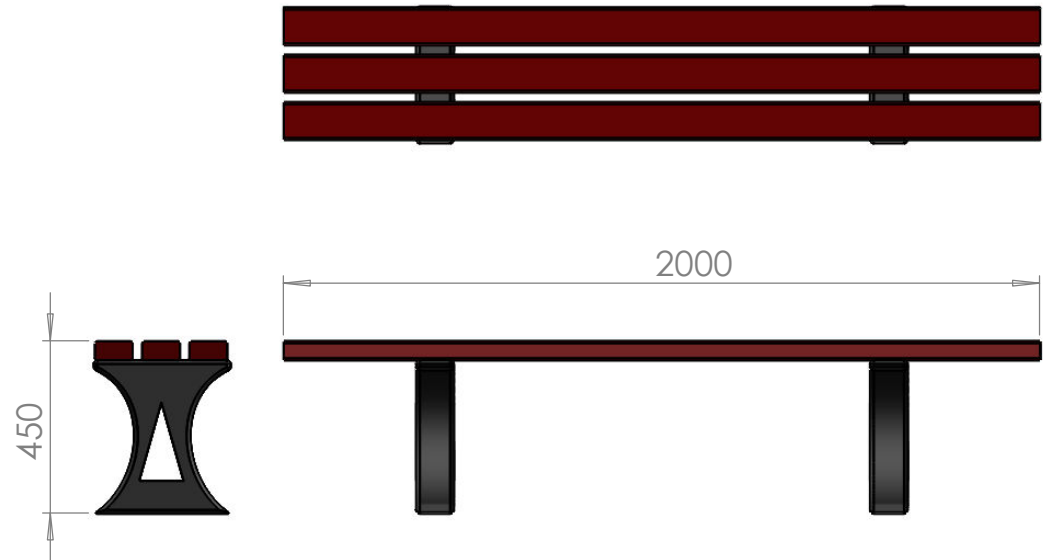


Seating | ASF910RP Recycled Plastic Seat

Material:
Dimensions:
Colour:
Adaptations:

Environmentally impecable 10% recycled plastic
Seats are 2000mm long but can be manufactured to bespoke sizes if required
Seats are available in gren, brown black and blue as standard. Other colours are available on request
Seats can be used in conjunction with picnic tables and planters

ASF

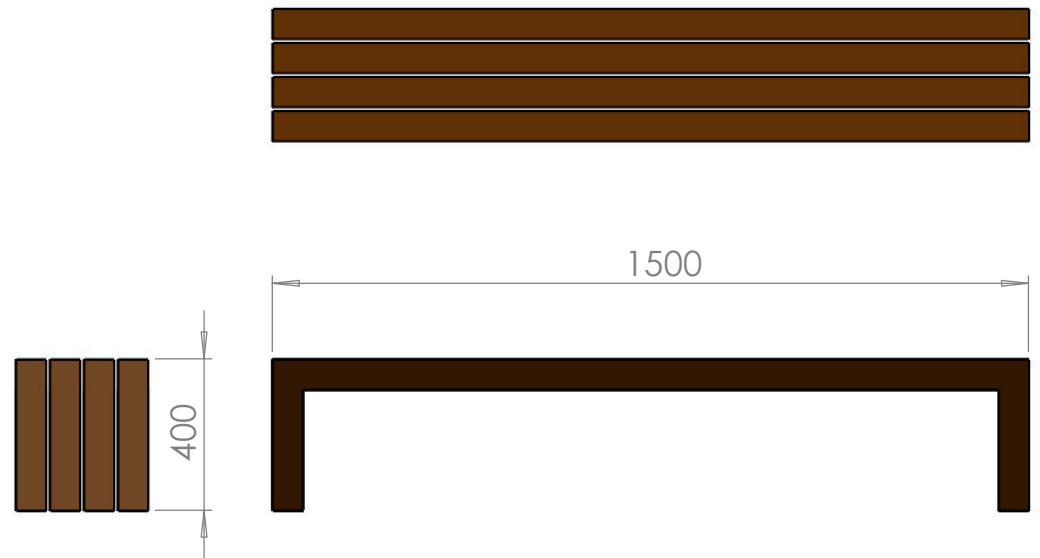


Seating | ASF911RP Recycled Plastic Seat

Material:
Dimensions:
Colour:
Adaptations:

Environmentally impeccable 10% recycled plastic
Seats are 2000mm long but can be manufactured to bespoke sizes if required
Seats are available in brown as standard. Other colours are available on request
Seats can be used in conjunction with picnic tables and planters. A version of this model is available as a seat with a back

ASF

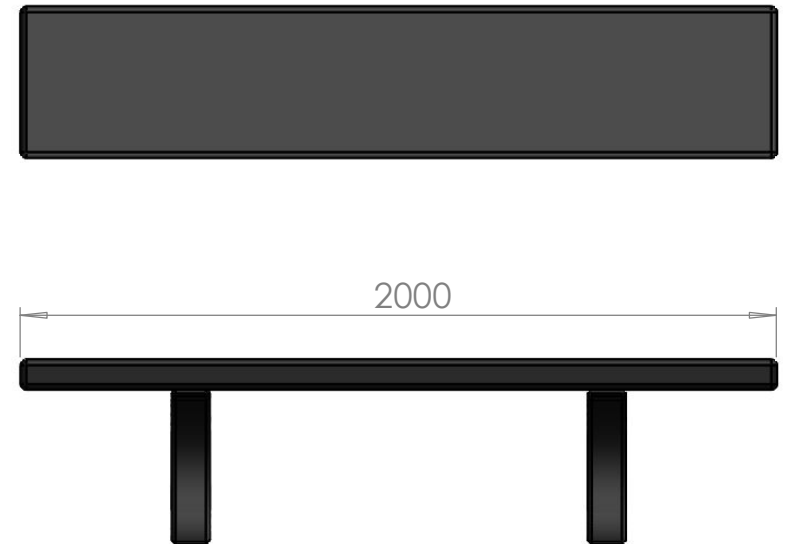


Seating | ASF912RP Recycled Plastic Seat

Material:
Dimensions:
Colour:
Adaptations:

Environmentally impeccable 10% recycled plastic
Seats are 1500mm long but can be manufactured to bespoke sizes if required
Seats are available in grey as standard. Other colours are available on request
Seats can be used in conjunction with picnic tables and planters

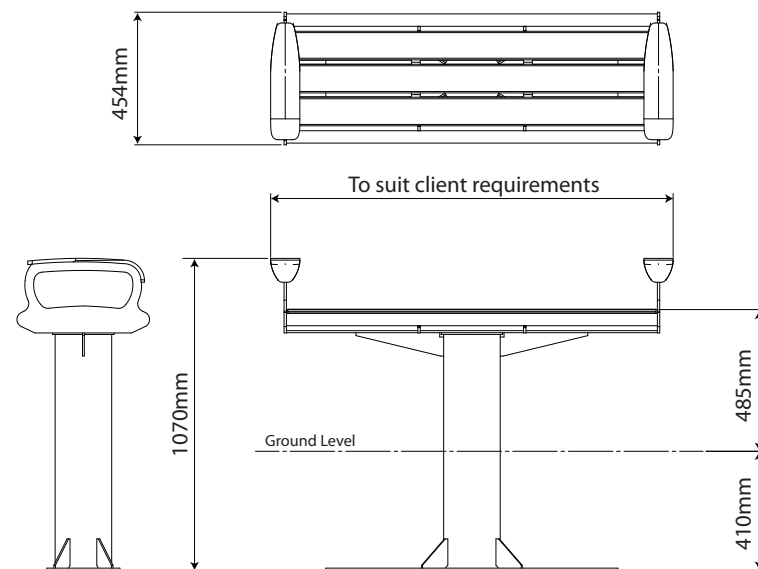
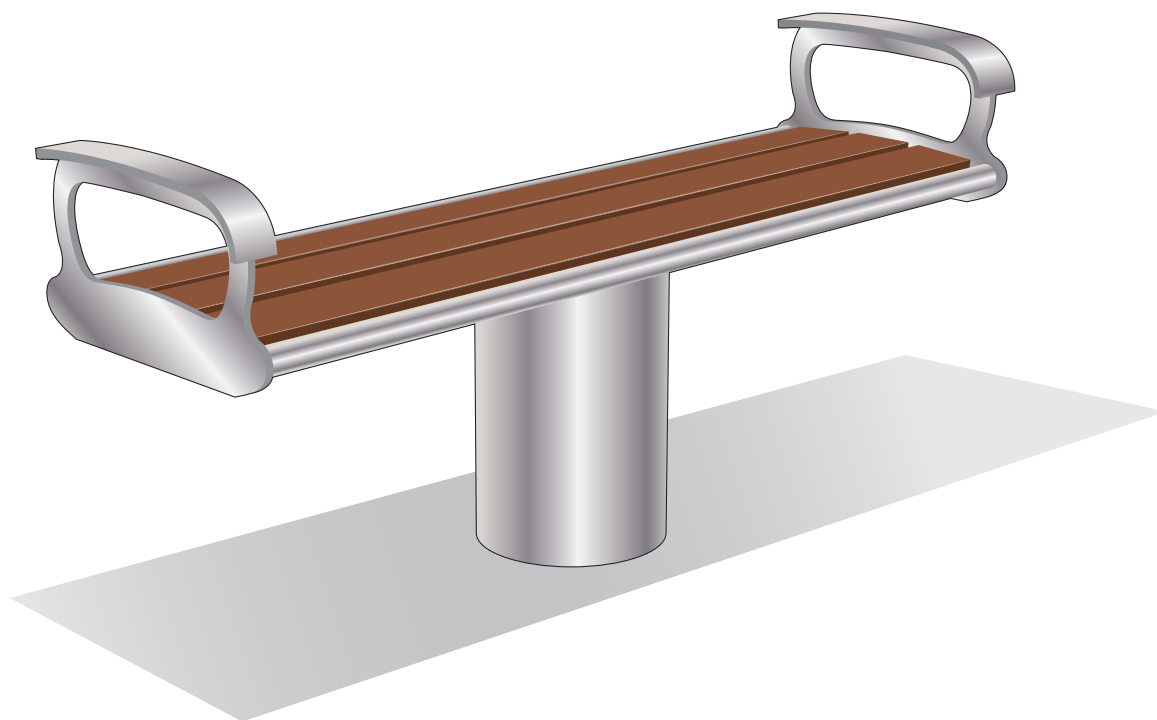
ASF



Seating | ASF913RP Recycled Plastic Seat

Material:
Dimensions:
Colour:
Adaptations:

Environmentally impeccable 10% recycled plastic
Seats are 2000mm long but can be manufactured to bespoke sizes if required
Seats are available in brown as standard. Other colours are available on request
Seats can be used in conjunction with picnic tables and planters



Seating ASF 6009 Stainless Steel Bench

Materials:
Standard Finish
Optional Finish
Fixing
Armrests
Bespoke
Lettering/Logos/Designs

Marine Grade 316 Stainless Steel or Mild Steel Galvanised Finish. Seat slats in non-endangered Iroko Hardwood

Satin Brushed Polish/ Timbers in Satin Wood stain

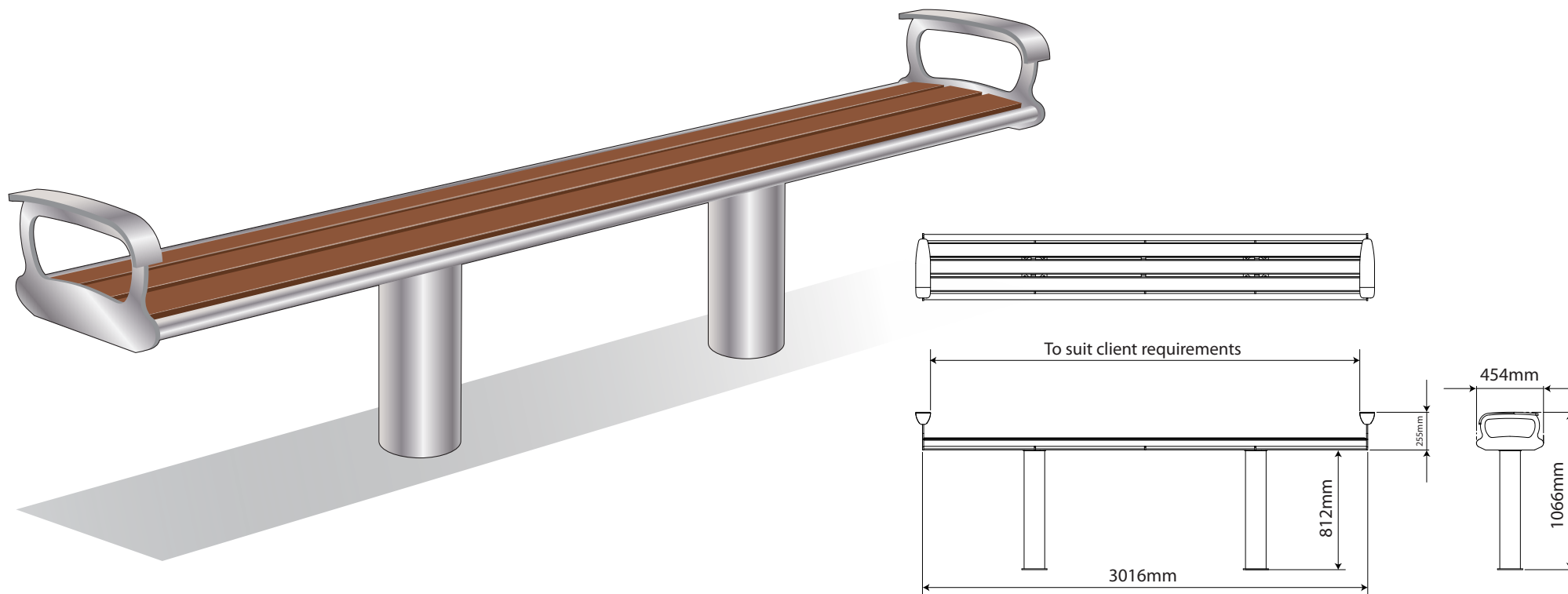
Stainless Steel can be finished to any polish finish (mirror/bright/bead blasted). Mild steel can be Polyester Powder Coated to any standard RAL or BS colour

Either root fixed (below ground) or base plate (above ground) are available. Root fixing is recommended.

Can be incorporated or removed if required

Benches are usually manufactured to a standard length of 1800mm, although all dimensions can be adapted to suit customer requirements

These can be added to seating where appropriate



Seating ASF 6010 Stainless Steel Bench

Materials:
Standard Finish
Optional Finish
Fixing
Armrests
Bespoke
Lettering/Logos/Designs

Marine Grade 316 Stainless Steel or Mild Steel Galvanised Finish. Seat slats in non-endangered Iroko Hardwood

Satin Brushed Polish/ Timbers in Satin Wood stain

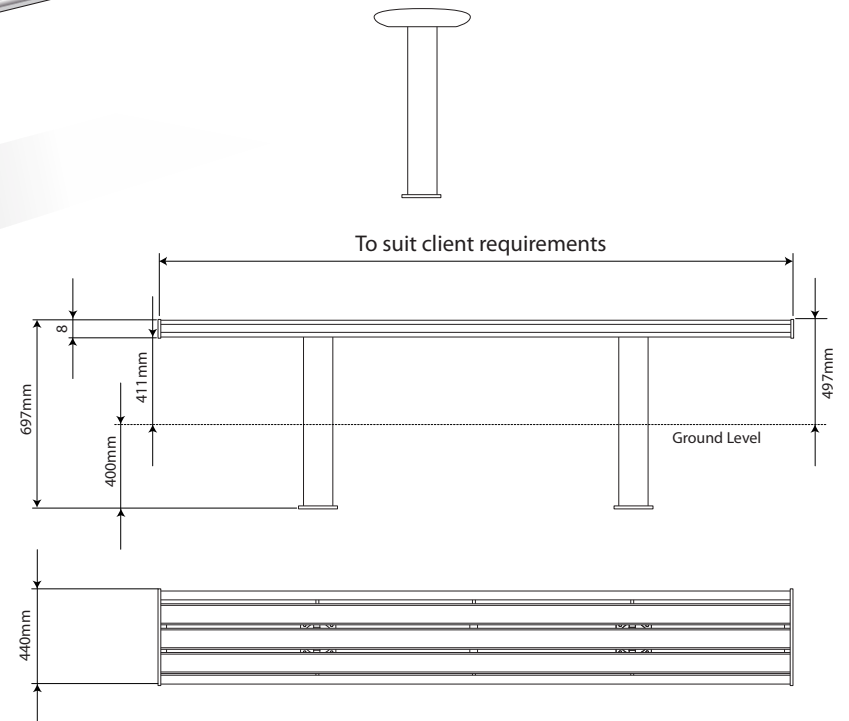
Stainless Steel can be finished to any polish finish (mirror/bright/bead blasted). Mild steel can be Polyester Powder Coated to any standard RAL or BS colour

Either root fixed (below ground) or base plate (above ground) are available. Root fixing is recommended.

Can be incorporated or removed if required

Benches are usually manufactured to a standard length of 1800mm, although all dimensions can be adapted to suit customer requirements

These can be added to seating where appropriate



Seating ASF 6011 Stainless Steel Bench

Materials:
Standard Finish
Optional Finish
Fixing
Armrests
Bespoke
Lettering/Logos/Designs

Marine Grade 316 Stainless Steel or Mild Steel Galvanised Finish. Seat slats in non-endangered Iroko Hardwood

Satin Brushed Polish/ Timbers in Satin Wood stain

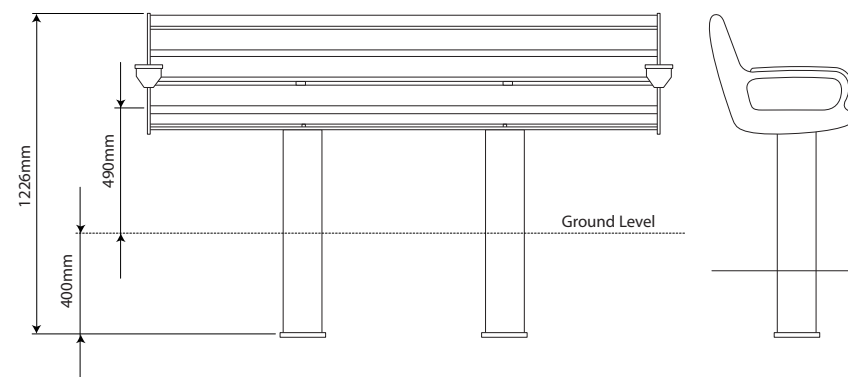
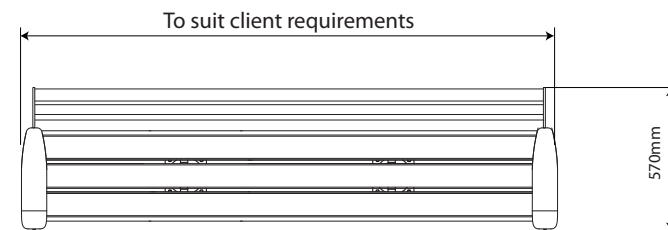
Stainless Steel can be finished to any polish finish (mirror/bright/bead blasted). Mild steel can be Polyester Powder Coated to any standard RAL or BS colour

Either root fixed (below ground) or base plate (above ground) are available. Root fixing is recommended.

Can be incorporated or removed if required

Benches are usually manufactured to a standard length of 1800mm, although all dimensions can be adapted to suit customer requirements

These can be added to seating where appropriate



Seating ASF 6012 Stainless Steel Seat

Materials:
Standard Finish
Optional Finish
Fixing
Armrests
Bespoke
Lettering/Logos/Designs

Marine Grade 316 Stainless Steel or Mild Steel Galvanised Finish. Seat slats in non-endangered Iroko Hardwood

Satin Brushed Polish/ Timbers in Satin Wood stain

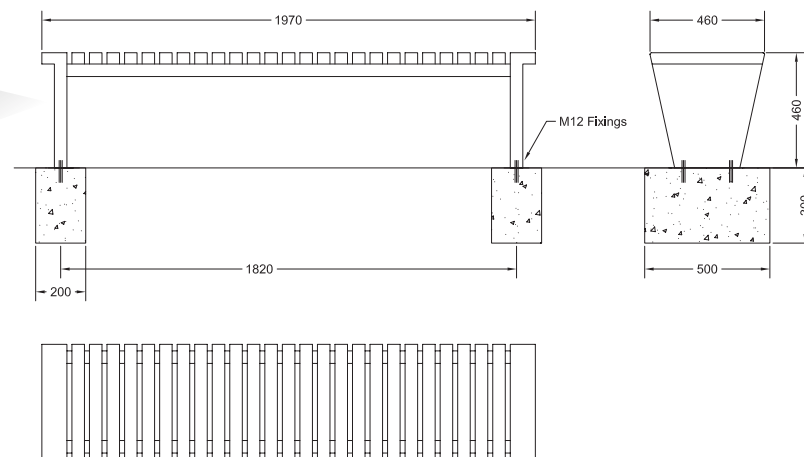
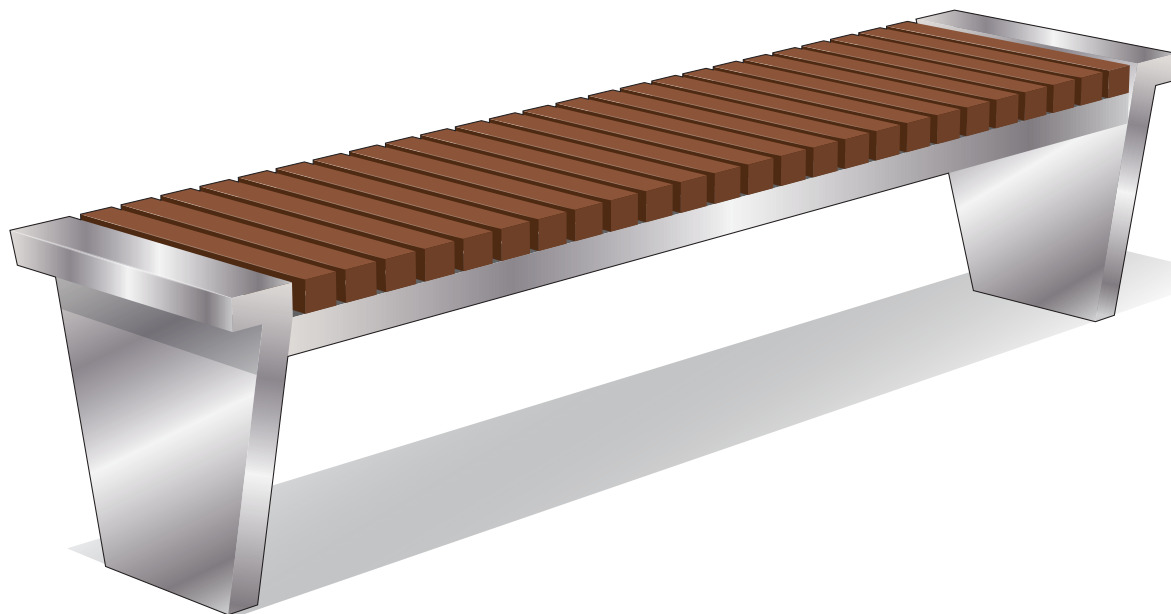
Stainless Steel can be finished to any polish finish (mirror/bright/bead blasted). Mild steel can be Polyester Powder Coated to any standard RAL or BS colour

Either root fixed (below ground) or base plate (above ground) are available. Root fixing is recommended.

Can be incorporated or removed if required

Benches are usually manufactured to a standard length of 1800mm, although all dimensions can be adapted to suit customer requirements

These can be added to seating where appropriate



Seating ASF 6013 Stainless Steel Bench

Materials:

Standard Finish

Optional Finish

Fixing

Bespoke

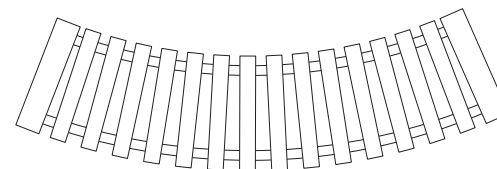
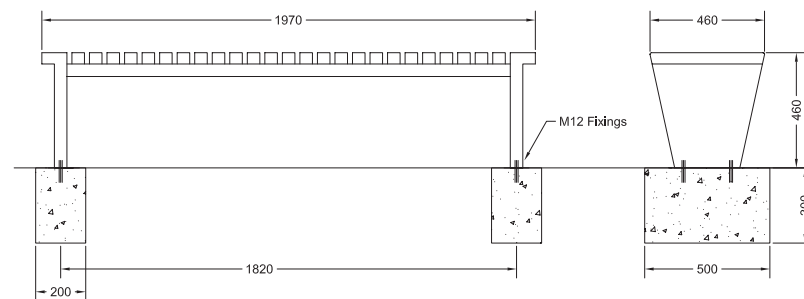
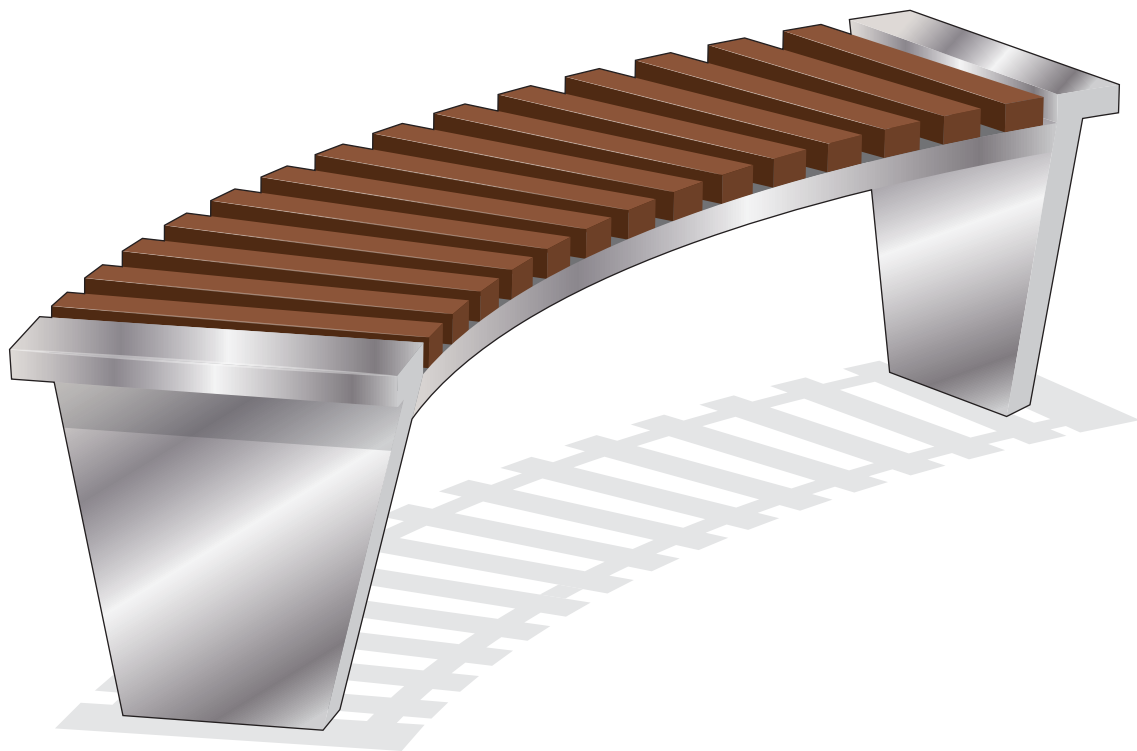
Marine Grade 316 Stainless Steel or Mild Steel Galvanised Finish. Seat slats in non-endangered Iroko Hardwood

Satin Brushed Polish/ Timbers in Satin Wood stain

Stainless Steel can be finished to any polish finish (mirror / bright / bead blasted). Mild steel can be Polyester Powder Coated to any RAL / BS colour.
Slats can be of any available timber with any stain / painted finish.

As per diagram. Other fixing methods can be devised to suit site if required

Standard benches are manufactured to size specifications shown, but can be made to any dimensions required



Seating ASF 6014 Stainless Steel Bench

Materials:

Standard Finish

Optional Finish

Fixing

Bespoke

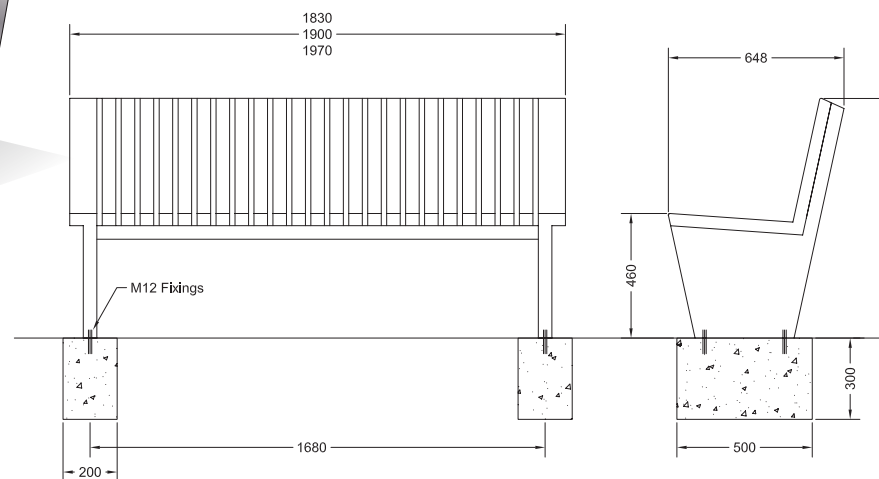
Marine Grade 316 Stainless Steel or Mild Steel Galvanised Finish. Seat slats in non-endangered Iroko Hardwood

Satin Brushed Polish/ Timbers in Satin Wood stain

Stainless Steel can be finished to any polish finish (mirror / bright / bead blasted). Mild steel can be Polyester Powder Coated to any RAL / BS colour. Slats can be of any available timber with any stain / painted finish.

As per diagram. Other fixing methods can be devised to suit site if required

Standard benches are manufactured to size specifications shown, but can be made to any dimensions required



Seating ASF 6015 Stainless Steel Seat

Materials:

Standard Finish

Optional Finish

Fixing

Bespoke

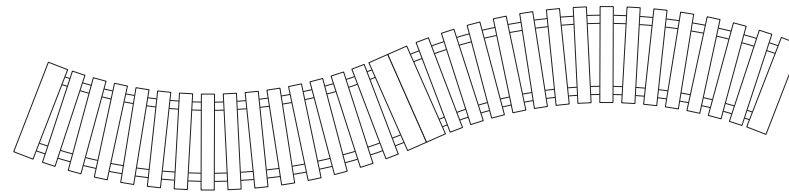
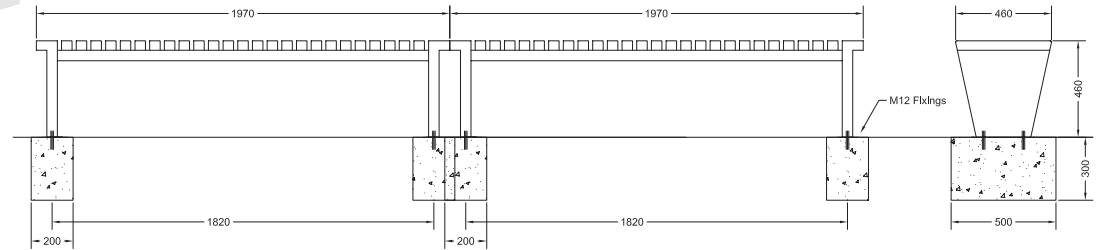
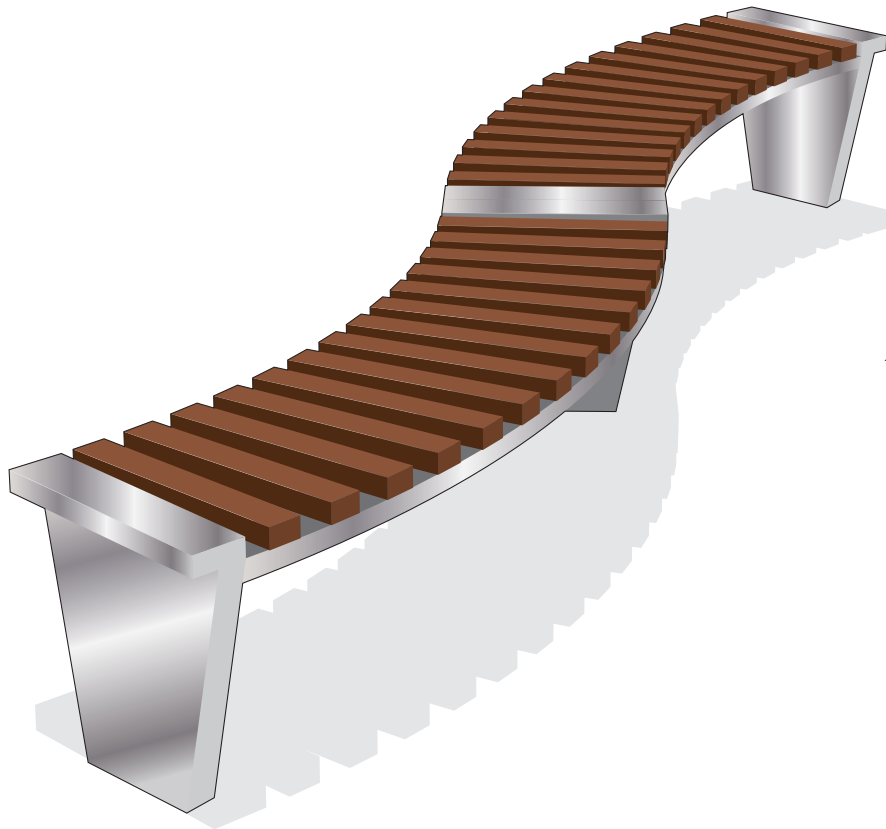
Marine Grade 316 Stainless Steel or Mild Steel Galvanised Finish. Seat slats in non-endangered Iroko Hardwood

Satin Brushed Polish/ Timbers in Satin Wood stain

Stainless Steel can be finished to any polish finish (mirror / bright / bead blasted). Mild steel can be Polyester Powder Coated to any RAL / BS colour. Slats can be of any available timber with any stain / painted finish.

As per diagram. Other fixing methods can be devised to suit site if required

Standard benches are manufactured to size specifications shown, but can be made to any dimensions required



Seating ASF 6016 Stainless Steel Bench

Materials:

Standard Finish

Optional Finish

Fixing

Bespoke

Marine Grade 316 Stainless Steel or Mild Steel Galvanised Finish. Seat slats in non-endangered Iroko Hardwood

Satin Brushed Polish/ Timbers in Satin Wood stain

Stainless Steel can be finished to any polish finish (mirror / bright / bead blasted). Mild steel can be Polyester Powder Coated to any RAL / BS colour. Slats can be of any available timber with any stain / painted finish.

As per diagram. Other fixing methods can be devised to suit site if required

Standard benches are manufactured to size specifications shown, but can be made to any dimensions required



Seating ASF 6017 Stainless Steel / Timber Seat

Materials:
Standard Finish
Optional Finish
Fixing
Armrests
Bespoke
Lettering/Logos/Designs

Marine Grade 316 Stainless Steel or Mild Steel Galvanised Finish. Seat slats in on-endangered Iroko Hardwood

Satin Brushed Polish/ Timbers in Satin Wood stain

Stainless Steel can be finished to any polish finish (mirror/bright/bead blasted). Mild steel can be Polyester Powder Coated to any standard RAL or BS colour

Either root fixed (below ground) or base plate (above ground) are available. Root fixing is recommended.

Can be incorporated or removed if required

Benches are usually manufactured to a standard length of 1800mm, although all dimensions can be adapted to suit customer requirements

These can be added to seating where appropriate



Seating ASF 6018 Stainless Steel / Timber Bench Seat

Materials:

Standard Finish

Optional Finish

Fixing

Armrests

Bespoke

Lettering/Logos/Designs

Marine Grade 316 Stainless Steel or Mild Steel Galvanised Finish. Seat slats in non-endangered Iroko Hardwood

Satin Brushed Polish/ Timbers in Satin Wood stain

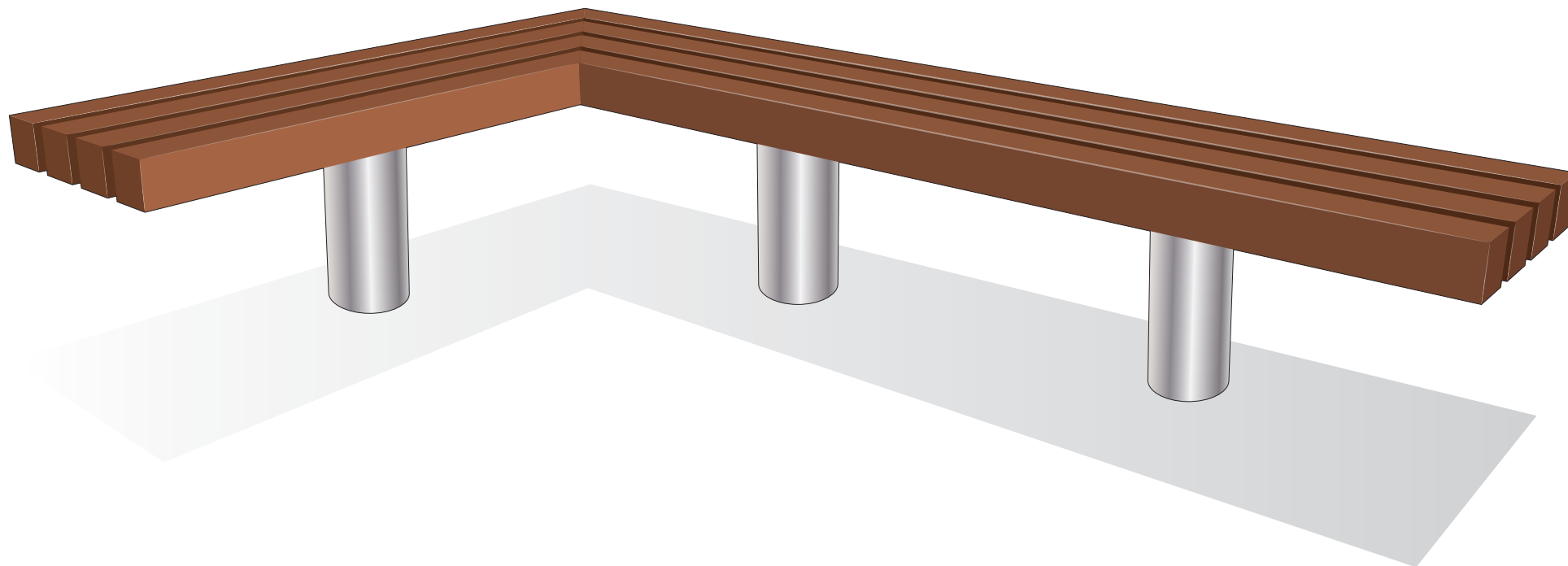
Stainless Steel can be finished to any polish finish (mirror/bright/bead blasted). Mild steel can be Polyester Powder Coated to any standard RAL or BS colour

Either root fixed (below ground) or base plate (above ground) are available. Root fixing is recommended.

Can be incorporated or removed if required

Benches are usually manufactured to a standard length of 1800mm, although all dimensions can be adapted to suit customer requirements

These can be added to seating where appropriate



Seating ASF 6018 Corner Bench Seat

Materials:
Standard Finish
Optional Finish
Fixing
Armrests
Bespoke
Lettering/Logos/Designs

Marine Grade 316 Stainless Steel or Mild Steel Galvanised Finish. Seat slats in non-endangered Iroko Hardwood

Satin Brushed Polish/ Timbers in Satin Wood stain

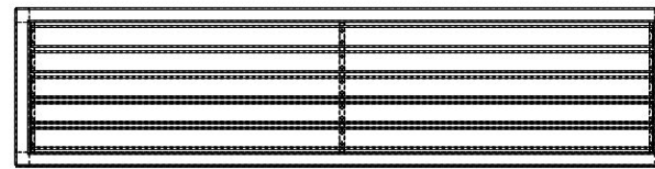
Stainless Steel can be finished to any polish finish (mirror/bright/bead blasted). Mild steel can be Polyester Powder Coated to any standard RAL or BS colour

Either root fixed (below ground) or base plate (above ground) are available. Root fixing is recommended.

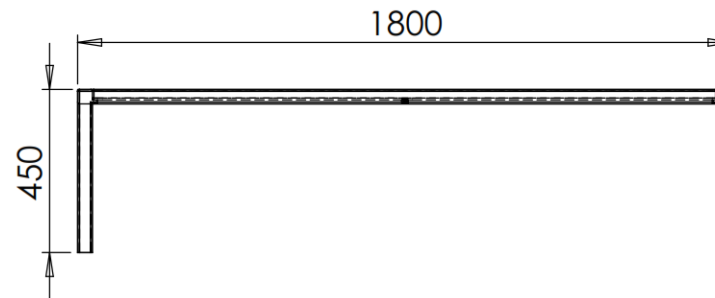
Can be incorporated or removed if required

Benches are usually manufactured to a standard length of 1800mm, although all dimensions can be adapted to suit customer requirements

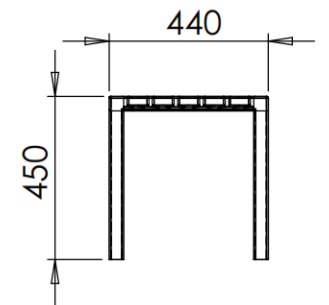
These can be added to seating where appropriate



Plan Of Bench



Front Elevation of Bench



Side Elevation Of Bench

Seating ASF Utility Bench

Materials:

Frames In Stainless Steel, also Available in mild steel. Slats in Hardwood Timber from either managed or no endangered sources

Finish:

Frames satin Brush polished . Slats in Danish oil

Optional Finish:

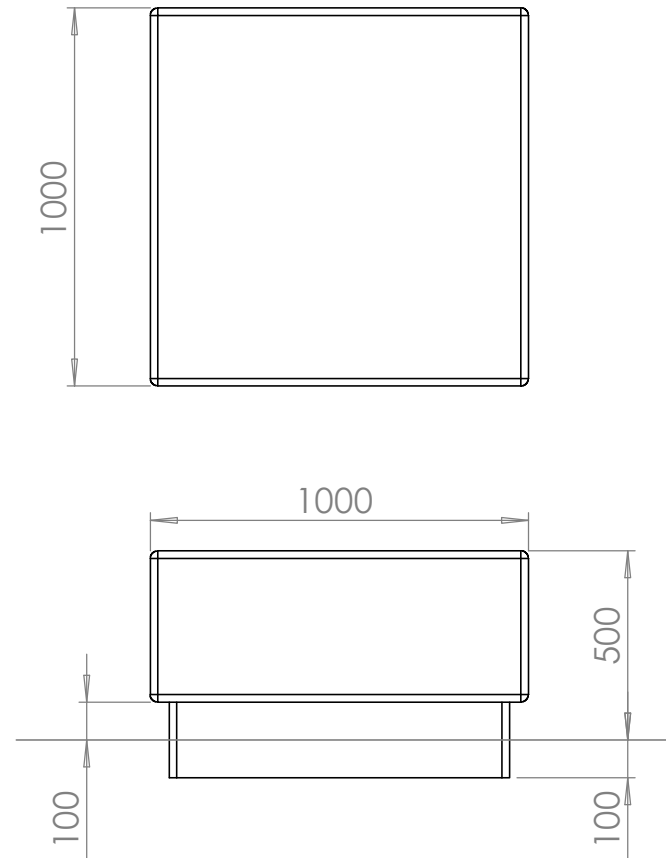
Frames can be finished to any polish standard, steel alternatives can be finished galvanized or polyester powder coated. Timber slats can be stained/ varnished to any spec.

Fixing:

Bolt down or root fixing is available

Bespoke:

Benches can be manufactured to any dimensions required



Seating | Seat 1000

Standard Material Type:

Silver Grey, Mid Grey and Black. See swatch. Others available on request.

Optional Finishes:

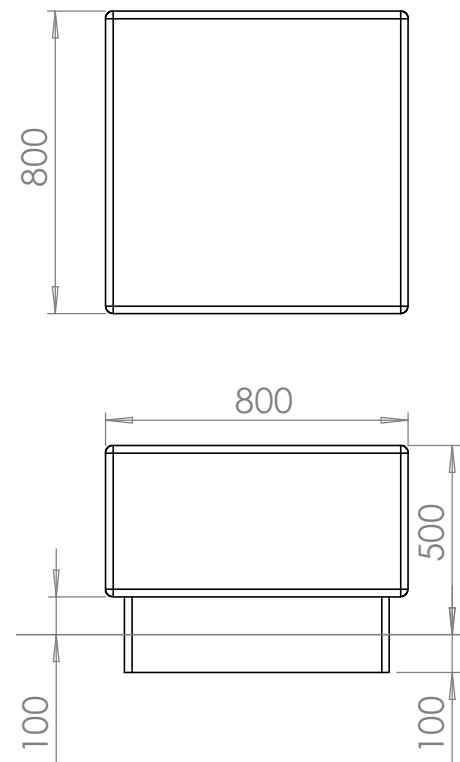
Available in a wide range of granite finishes: Polished, Honed, Flamed and Picked.

Adaptations:

Granite products can be Retro-Fitted with Galvanised Steel, Stainless Steel or Timber ancillary features.

Lighting and Illumination:

Bespoke Illumination options are available for practical and feature lighting schemes.



Seating | Seat 800

Standard Material Type:

Silver Grey, Mid Grey and Black. See swatch. Others available on request.

Optional Finishes:

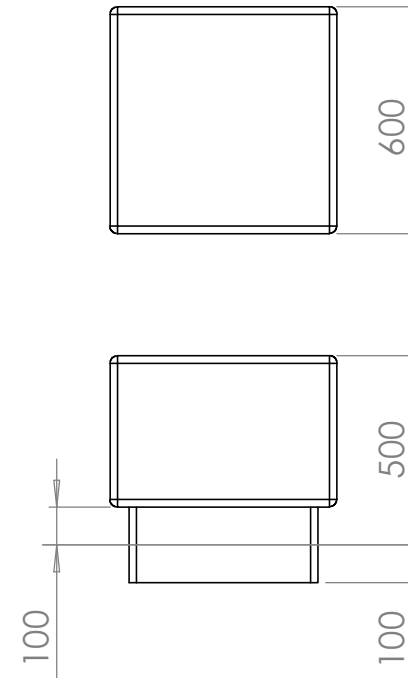
Available in a wide range of granite finishes: Polished, Honed, Flamed and Picked.

Adaptations:

Granite products can be Retro-Fitted with Galvanised Steel, Stainless Steel or Timber ancillary features.

Lighting and Illumination:

Bespoke Illumination options are available for practical and feature lighting schemes.



Seating | Seat 600

Standard Material Type:

Silver Grey, Mid Grey and Black. See swatch. Others available on request.

Optional Finishes:

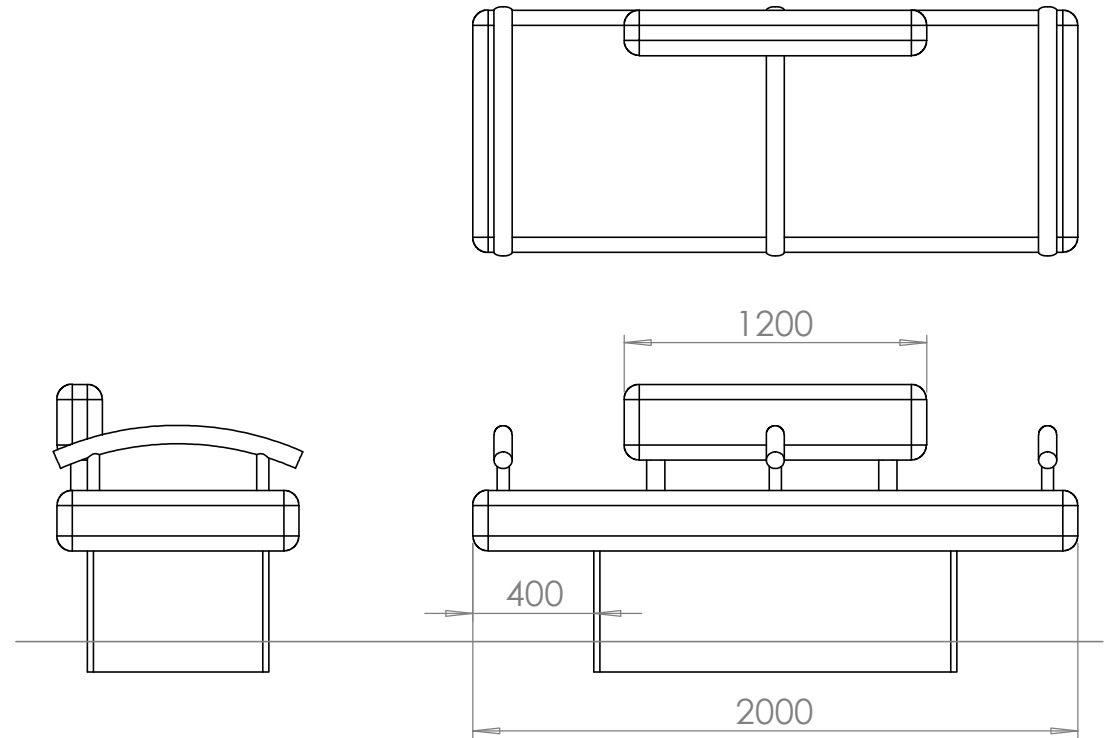
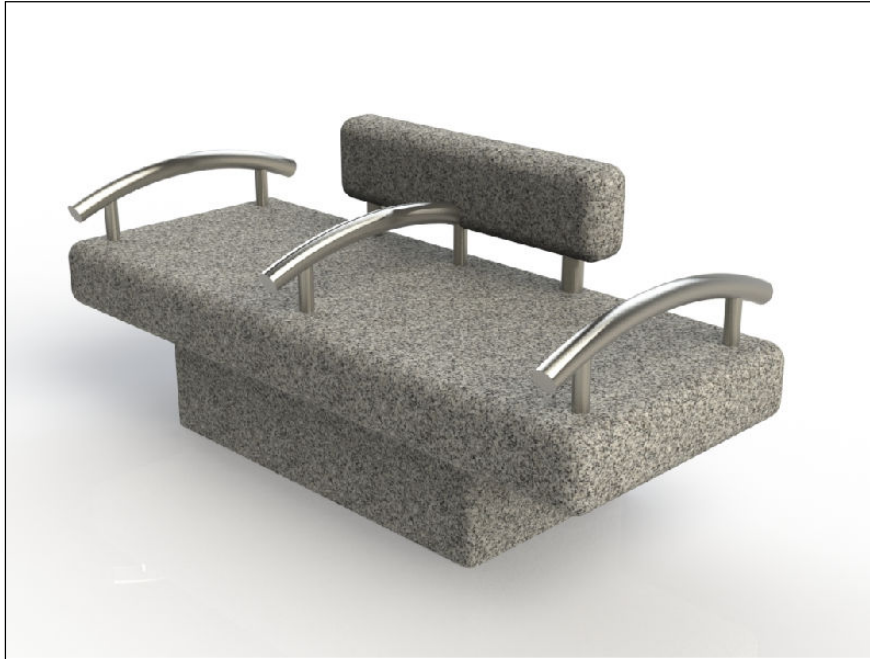
Available in a wide range of granite finishes: Polished, Honed, Flamed and Picked.

Adaptations:

Granite products can be Retro-Fitted with Galvanised Steel, Stainless Steel or Timber ancillary features.

Lighting and Illumination:

Bespoke Illumination options are available for practical and feature lighting schemes.



Seating | Organic Seat

**Standard
Material Type:**

Silver Grey, Mid Grey and Black. See swatch. Others available on request.

Optional Finishes:

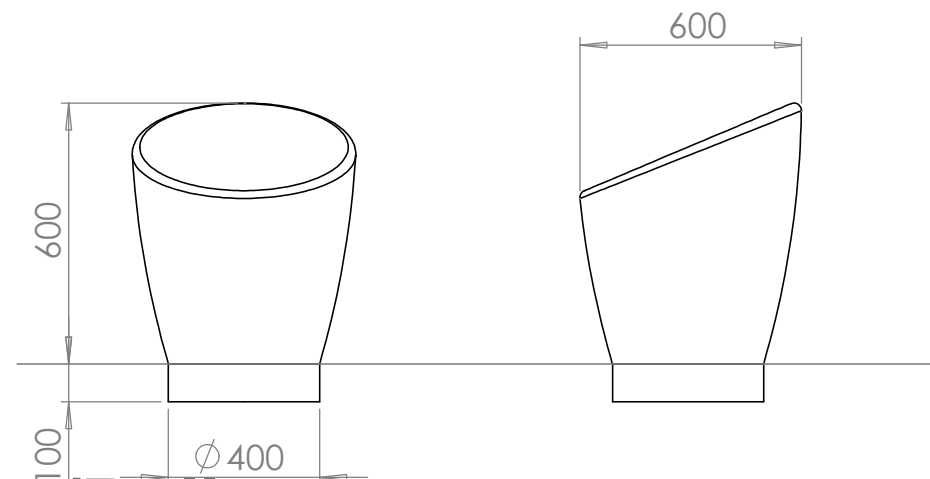
Available in a wide range of granite finishes: Polished, Honed, Flamed and Picked.

Adaptations:

Granite products can be Retro-Fitted with Galvanised Steel, Stainless Steel or Timber ancillary features.

**Lighting and
Illumination:**

Bespoke Illumination options are available for practical and feature lighting schemes.



Seating | Organic Features Seat/Bollard

Standard Material Type:

Silver Grey, Mid Grey and Black. See swatch. Others available on request.

Optional Finishes:

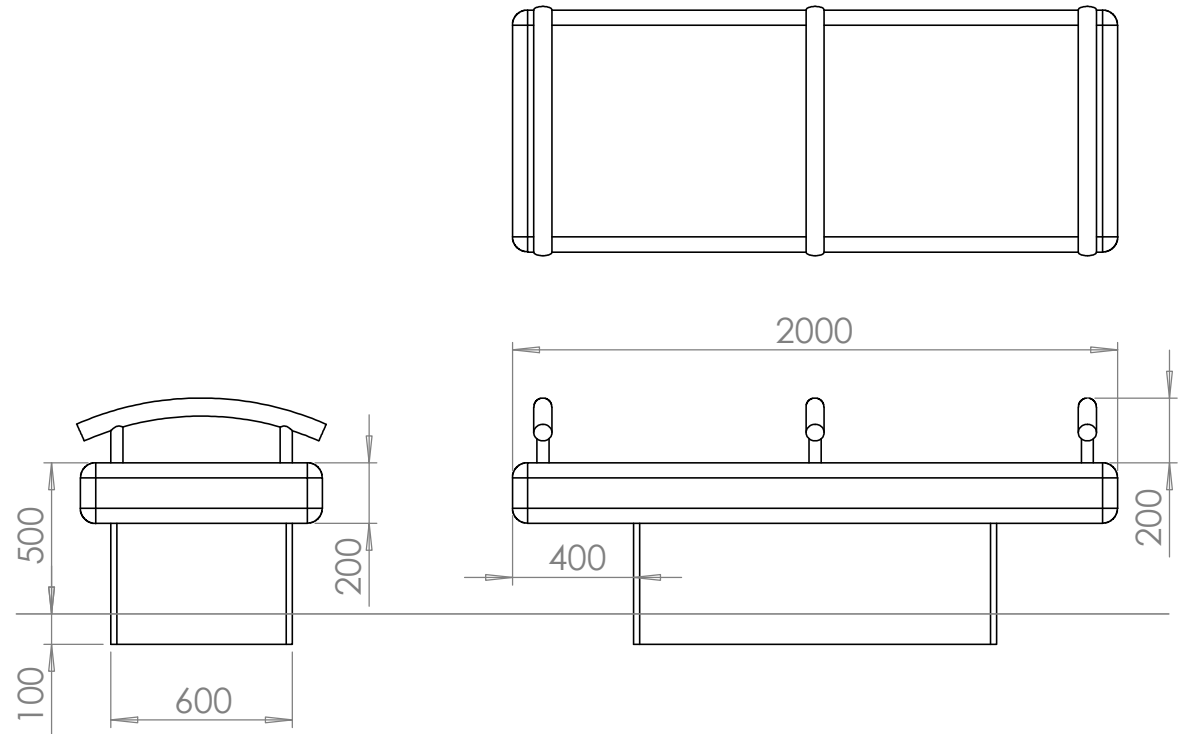
Available in a wide range of granite finishes: Polished, Honed, Flamed and Picked.

Adaptations:

Granite products can be Retro-Fitted with Galvanised Steel, Stainless Steel or Timber ancillary features.

Lighting and Illumination:

Bespoke Illumination options are available for practical and feature lighting schemes.



Seating | Organic Bench

Standard Material Type:

Silver Grey, Mid Grey and Black. See swatch. Others available on request.

Optional Finishes:

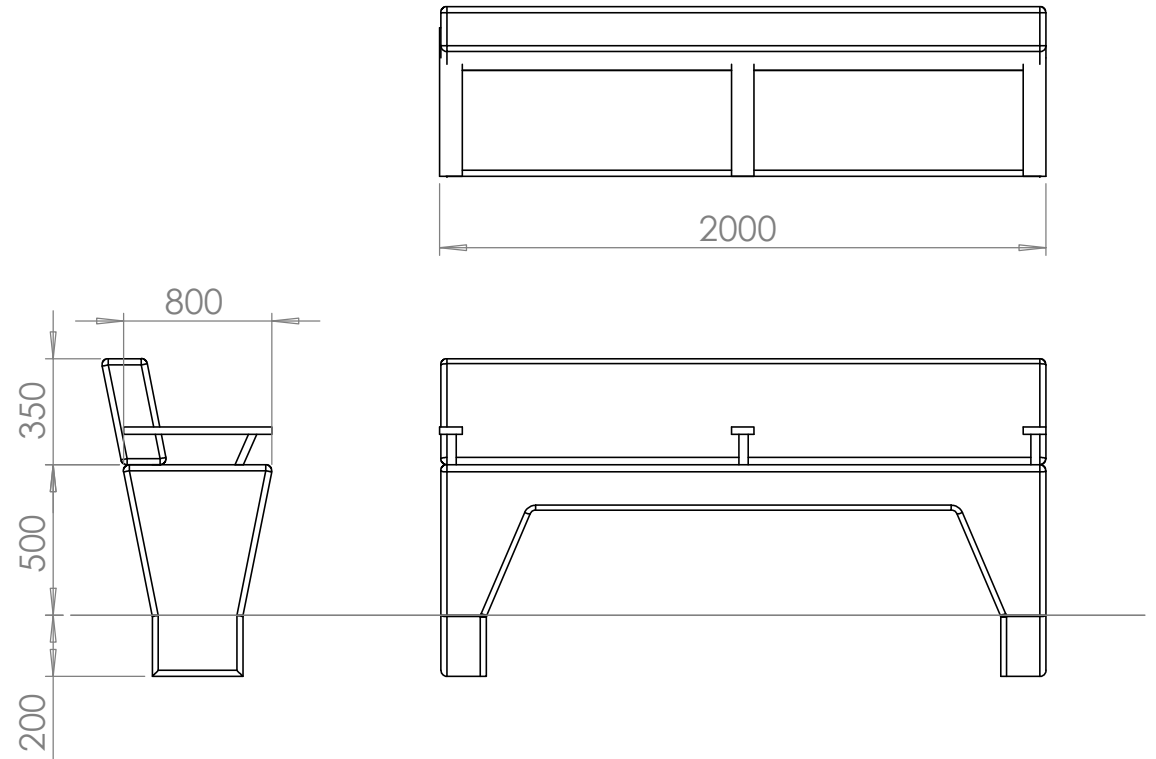
Available in a wide range of granite finishes: Polished, Honed, Flamed and Picked.

Adaptations:

Granite products can be Retro-Fitted with Galvanised Steel, Stainless Steel or Timber ancillary features.

Lighting and Illumination:

Bespoke Illumination options are available for practical and feature lighting schemes.



Seating | Modernist Seat

Standard Material Type:

Silver Grey, Mid Grey and Black. See swatch. Others available on request.

Optional Finishes:

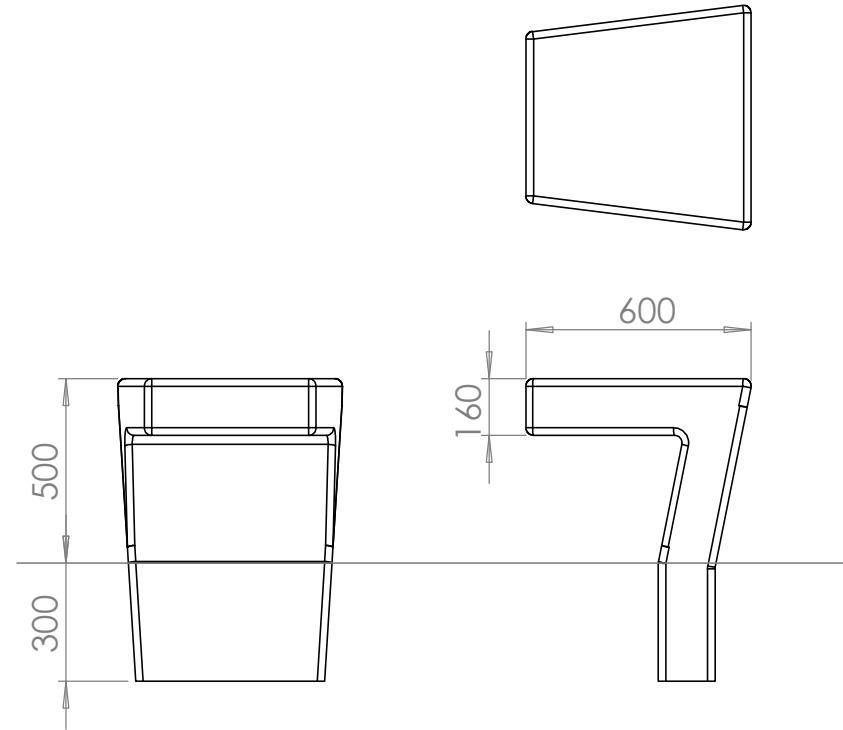
Available in a wide range of granite finishes: Polished, Honed, Flamed and Picked.

Adaptations:

Granite products can be Retro-Fitted with Galvanised Steel, Stainless Steel or Timber ancillary features.

Lighting and Illumination:

Bespoke Illumination options are available for practical and feature lighting schemes.



Seating | Modernist Features2 Sit Down Bollard

Standard Material Type:

Silver Grey, Mid Grey and Black. See swatch. Others available on request.

Optional Finishes:

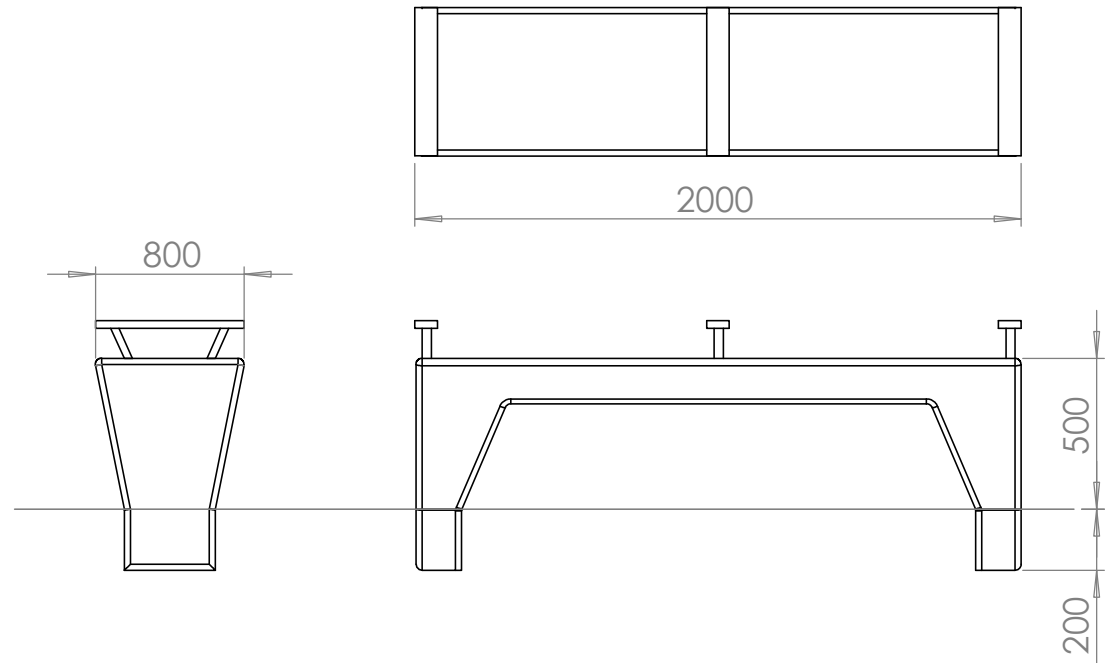
Available in a wide range of granite finishes: Polished, Honed, Flamed and Picked.

Adaptations:

Granite products can be Retro-Fitted with Galvanised Steel, Stainless Steel or Timber ancillary features.

Lighting and Illumination:

Bespoke Illumination options are available for practical and feature lighting schemes.



Seating | Modernist Bench

Standard Material Type:

Silver Grey, Mid Grey and Black. See swatch. Others available on request.

Optional Finishes:

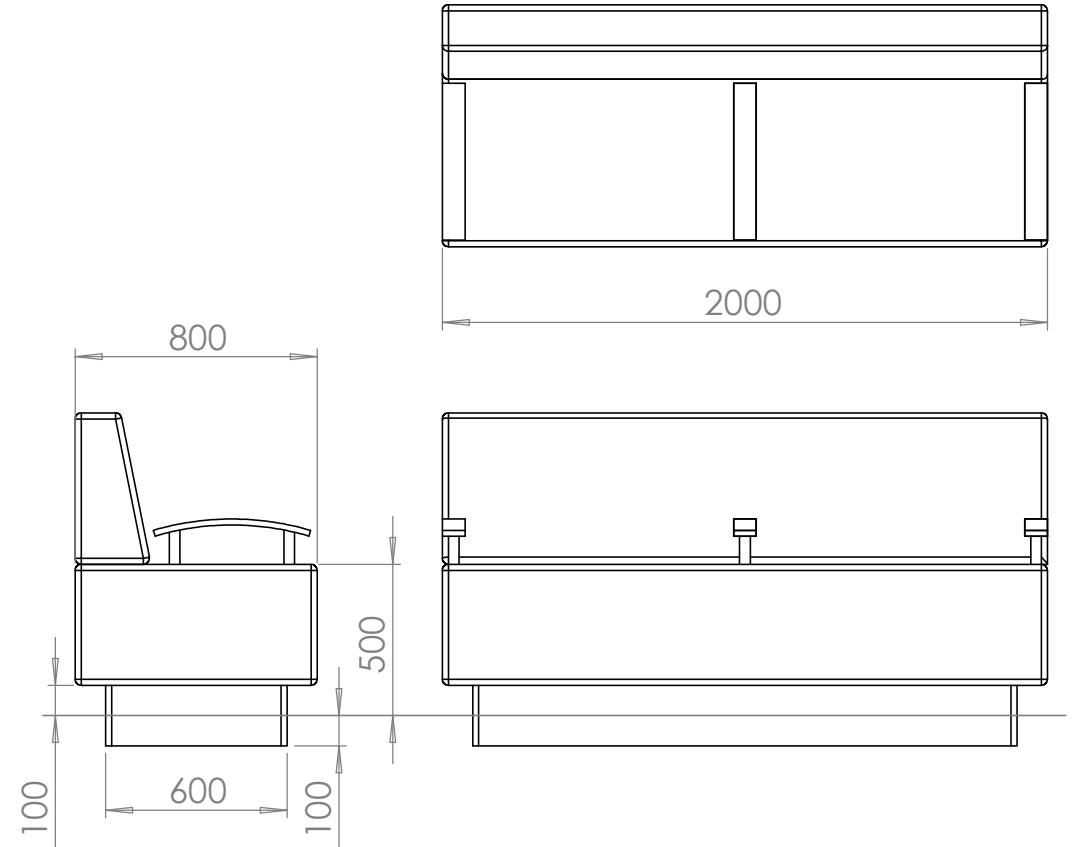
Available in a wide range of granite finishes: Polished, Honed, Flamed and Picked.

Adaptations:

Granite products can be Retro-Fitted with Galvanised Steel, Stainless Steel or Timber ancillary features.

Lighting and Illumination:

Bespoke Illumination options are available for practical and feature lighting schemes.



Seating | Cubist Seat

Standard Material Type:

Silver Grey, Mid Grey and Black. See swatch. Others available on request.

Optional Finishes:

Available in a wide range of granite finishes: Polished, Honed, Flamed and Picked.

Adaptations:

Granite products can be Retro-Fitted with Galvanised Steel, Stainless Steel or Timber ancillary features.

Lighting and Illumination:

Bespoke Illumination options are available for practical and feature lighting schemes.